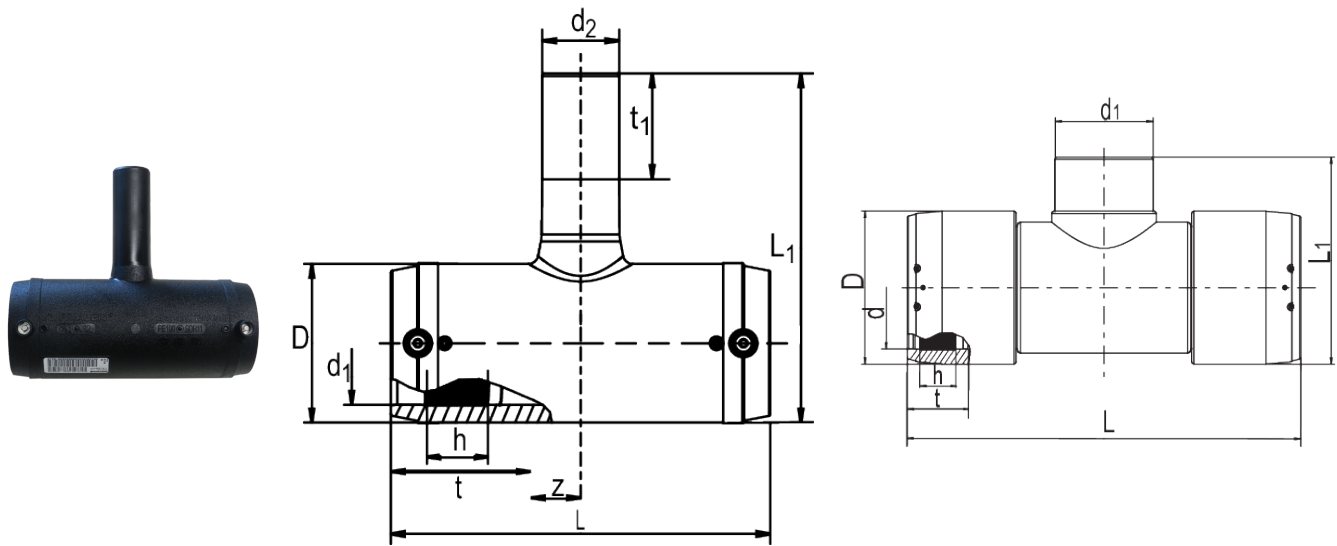


TA RED SDR 11

Reduced tee with spigot outlet, SDR 11

Reduced tee TA RED SDR 11 with spigot outlet

- Gas, water and H₂
- Working pressure: MOP (gas) 10 bar, PFA (water) 16 bar
- Material: PE 100-RC
- Reduced spigots
- Safety technology
- DVGW test mark: DV-8601AU2248, DV-8606AU2249 and DV-8611AU2250



With long outlet spigot



Reference	d ₁	d ₂	SDR range	B	D	D1	h	L	L1	t	t ₁	z	Weight [kg]	BX	Pallet quantity
616417	32	20	11	62	46	32	22	116	117	44	42	14	0,110	30	540
616418	40	32	11	70	55	40	25	146	148	46	51	28	0,170	20	360
616419	50	32	11 - 17,6	82	69	50	28	175	158	55	51	33	0,300	15	270
616420	50	40	11 - 17,6	82	69	50	28	175	167	55	55	33	0,320	15	270
616421	63	32	11 - 17,6	96	84	63	32	197	173	63	51	36	0,440	10	180
616422	63	40	11 - 17,6	96	84	63	32	197	182	63	55	36	0,450	10	180
616423	63	50	11 - 17,6	96	84	63	32	197	197	63	60	36	0,500	10	180

With standard outlet spigots



Reference	d ₁	d ₂	SDR range	B	D	D1	h	L	L1	t	t ₁	z	Weight [kg]	BX	Pallet quantity
616675	90	32	11 - 17,6	126	116	90	43	280	172	79	44	61	1,050	10	80

TA RED SDR 11

Reduced tee with spigot outlet, SDR 11

Reference	d ₁	d ₂	SDR range	B	D	D1	h	L	L1	t	t ₁	z	Weight [kg]	BX	Pallet quantity
616676	90	63	11 - 17,6	126	116	90	43	280	191	79	63	61	1,100	10	80
616678	110	63	11 - 17,6	148	141	110	48	310	216	82	63	73	1,700	8	64
616679	110	90	11 - 17,6	148	141	110	48	310	244	82	79	73	1,850	8	64
616681	160	90	11 - 17,6	205	203	160	45	390	305	98	79	97	4,400	3	24
616682	160	110	11 - 17,6	205	203	160	45	390	308	98	82	97	4,500	3	24
616683	160	125	11 - 17,6	205	203	160	45	390	313	98	87	97	4,600	3	24
617174	180	125	11 - 17,6	228	223	180	49,9	495	357	105	87	143	7,160	2	16
617176	200	90	11 - 17,6	250	247	200	50,3	540	360	112	79	158	8,410	1	8
617177	200	110	11 - 17,6	250	247	200	50,3	540	370	112	82	158	8,890	1	8
617178	200	160	11 - 17,6	250	247	200	50,3	540	401	112	98	158	9,900	1	8
617180	225	90	11 - 17,6	281	278	225	61,2	590	389	120	79	175	11,550	1	8
617181	225	110	11 - 17,6	281	278	225	61,2	590	399	120	82	175	12,200	1	8
617182	225	160	11 - 17,6	281	278	225	61,2	590	430	120	98	175	13,370	1	8
616427	250	225	11 - 17,6	-	310	250	80	770	440	128	-	254	21,800	1	2
616429	280	225	11 - 17,6	-	350	280	84	905	475	139	-	312	30,800	1	2
616431	315	225	11 - 17,6	-	396	315	80	940	525	150	-	359	43,500	1	2

TA RED SDR 11

Reduced tee with spigot outlet, SDR 11

Areas of Application

The FRIALEN reduced TA red pieces are used for pipe outlets of HD-PE pipelines.

FRIALEN safety fittings can be fused with SDR11 - SDR17.6 pipes.

Minimum wall thickness $s_{\text{minimum}} \geq 3 \text{ mm}$.

Other levels of SDR can be processed on request.

Please note the mandatory labels directly on the product.

DVGW test mark issued: DV-8601AU2248, DV-8606AU2249 and DV-8611AU2250.

Dimension B = Diameter D with contact pin

Assembly Instructions

The fusion of the pipe ends with the FRIALEN TA red takes place by FRIALEN-fusing – leakproof and longitudinally strong.

The pipe ends are prepared (removing the oxide layer/cleaning) according to the general installation instructions (see "Assembly Instructions" for "FRIALEN-Safety Fittings for house connections and distribution pipes up to d 225").

Good reasons for using the FRIALEN TA red:

- **Optimised size and flow conditions** for branches
- **Spigot outlet** for maximum flexibility in pipework construction
- **Large insertion depths** - no retaining clamps necessary
- **Open wire design** for a secure and high-quality connection
- **Long outlets** - double length allows for double fusion on pipe diameters up to 63 mm
- **Maximum stability** thanks to large wall thicknesses
- **Traceability coding** Additional barcode for component traceability