

# DAV

## Tapping valve DAV RED SNAP, SDR 11 (clockwise closing)

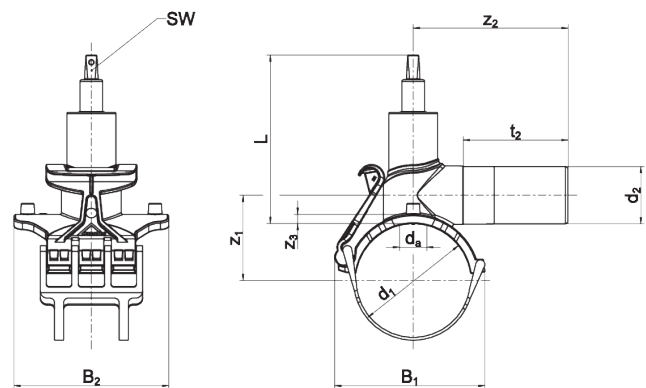
Tapping valve RED SNAP CW, SDR 11

- Gas, water and H<sub>2</sub>
- Working pressure: MOP (gas) 10 bar, PFA (water) 16 bar
- Material: PE 100-RC
- Quick release mechanism (RED SNAP):
  - Simple and error-free assembly
  - More quality and high security
  - Save 50% of installation time
- Integrated drill with upper and lower inner stop
- Maximum 9 turns for opening and closing
- Safety technology
- DVGW test mark: DV-6611AU2255

### Note:

There is a suitable installation kit DBS with KlickFix and foam rubber for wrench size SW14.

The output dimension  $d_{63/40}$  is a solution with reducing socket MR.



PE 100-RC SDR 11

Maximum permissible working pressure 16 bar (water) / 10 bar (gas)



Reference	d <sub>1</sub>	d <sub>2</sub>	B1	B2	D1	L	t <sub>2</sub>	z <sub>1</sub>	z <sub>2</sub>	z <sub>3</sub>	Drilling Ø da	SW	Turns open/close	Weight [kg]	BX	Pallet quantity
617024	50	32	95	136	50	177	86	56	125	8	30	14	7	1,220	24	192
617025	63	32	108	146	63	177	86	63	125	10	30	14	7	1,220	24	192
617026	63	40	108	146	63	177	115	63	155	10	30	14	7	1,220	20	160
616952	63	63	108	146	63	177	115	63	155	10	30	14	7	1,210	20	160

# DAV

## Tapping valve DAV RED SNAP, SDR 11 (clockwise closing)

Reference	d <sub>1</sub>	d <sub>2</sub>	B1	B2	D1	L	t <sub>2</sub>	z <sub>1</sub>	z <sub>2</sub>	z <sub>3</sub>	Drilling Ø da	SW	Turns open/close	Weight [kg]	BX	Pallet quantity
617027	75	32	120	146	75	177	86	69	125	10	30	14	7	1,040	22	160
616960	90	32	137	170	90	183	86	76	125	10	30	14	8	1,220	12	96
616961	90	40	137	170	90	183	92	76	130	10	30	14	8	1,230	12	96
616962	90	50	137	170	90	183	104	76	145	10	30	14	8	1,260	14	96
616963	90	63	137	170	90	183	115	76	165	10	30	14	8	1,340	14	96
616964	110	32	152	170	110	183	86	86	125	10	30	14	8	1,230	14	96
616965	110	40	152	170	110	183	92	86	130	10	30	14	8	1,240	14	96
616966	110	50	152	170	110	183	104	86	150	10	30	14	8	1,290	14	96
616967	110	63	152	170	110	183	115	86	170	10	30	14	8	1,360	14	96
616968	125	32	167	170	125	183	86	94	125	10	30	14	8	1,260	12	96
616969	125	40	167	170	125	183	92	94	135	10	30	14	8	1,240	12	96
616970	125	50	167	170	125	183	104	94	155	10	30	14	8	1,280	12	96
616971	125	63	167	170	125	183	115	94	170	10	30	14	8	1,380	12	96
616972	140	32	170	170	140	183	86	101	125	10	30	14	8	1,230	12	96
616973	140	63	170	170	140	183	115	101	175	10	30	14	8	1,360	12	96
616974	160	32	195	186	160	208	86	111	130	10	30	14	9	1,420	10	80
616975	160	40	195	186	160	208	92	111	140	10	30	14	9	1,430	10	80
616976	160	50	195	186	160	208	104	111	160	10	30	14	9	1,490	10	80
616977	160	63	195	186	160	208	115	111	180	10	30	14	9	1,560	10	80
616978	180	32	203	186	180	208	86	121	130	10	30	14	9	1,440	10	80
616979	180	40	203	186	180	208	92	121	145	10	30	14	9	1,460	10	80
616980	180	50	203	186	180	208	104	121	165	10	30	14	9	1,510	10	80
616981	180	63	203	186	180	208	115	121	180	10	30	14	9	1,580	10	80
616982	200	32	205	186	200	208	86	131	130	10	30	14	9	1,450	8	64
616984	200	63	205	186	200	208	115	131	185	10	30	14	9	1,590	8	64
616985	225	32	214	186	225	208	86	144	135	10	30	14	9	1,480	8	64
616986	225	40	214	186	225	208	92	144	150	10	30	14	9	1,490	8	64
616987	225	50	214	186	225	208	104	144	170	10	30	14	9	1,540	8	64
616988	225	63	214	186	225	208	115	144	190	10	30	14	9	1,620	8	64

## Tapping valve DAV RED SNAP, SDR 11 (clockwise closing)

### Areas of Application DAV CW RED SNAP

The FRIALEN-Pressure Tapping Valves DAV with fast clamping lever RED SNAP are used for branches of unpressurised and pressurised gas and water pipelines. Outlet spigots are prepared for integration of excess flow valves.

FRIALEN pressure tapping valves  $\leq d 63$  are applicable for pipes of SDR level 11 and  $> d 63$  for pipes of SDR level 11 to 17.6. Minimum wall thickness  $s$  minimum  $\geq 3$  mm. Other levels of SDR can be processed on request. Please note the mandatory labels directly on the product. DVGW test mark issued: DV-6611AU2255.

### Assembly Instructions

The fusion of the HD-PE distribution pipes and the service pipes with FRIALEN-Pressure Tapping Valves takes place by FRIALEN-fusing – leakproof and longitudinally strong.

The saddle and the outlet spigot have to be prepared according to the general assembly instructions (see "Assembly Instructions" for "FRIALEN-Safety Fittings for house service and supply pipes up to d 225"). This involves removing the oxide layer and cleaning the pipe surface covered by the saddle as well as the outlet spigot and the pipe end.

The assembly of the pressure tapping valve with fast clamping mechanism takes place within seconds with the fast clamping lever RED SNAP without additional tools.

For „Open/Close“ the pressure tapping valve require 8 to 9 turns, depending to the dimension and design, by using an operating key type E according to DIN 3223.

(The tapping process need less turns, because of the intermediate position of the drill in supplied condition).

### Good reasons for using the FRIALEN Pressure Tapping Valves DAV with fast clamping lever RED SNAP:

- Compact part, solid injection molded body made from HD-PE
- Simple and reliable assembly without any tool, thanks to the patented fast clamping lever RED SNAP
- The flexible saddle compensates pipe tolerances and provides always an optimal, uniform buildup of melt pressure during the fusion
- Fusing and tapping of the main under maximum permitted operating pressure gas/water
- Simple start-up of the pressure tapping valve because of little tapping forces
- No preventive measures necessary with regard to corrosion
- Actuating spindle made from corrosion-resistant steel
- Swarfless tapping due to rotating punching drill made of stainless steel
- Punched-out pipe piece fits securely and permanent in the drill
- Drill with solid upper and lower stop
- Length of outlet spigot dimensioned for two fusion operations
- Barcode exposed on fast clamping lever RED SNAP for easy scanning with readerwand or barcode scanner
- Installation set DBS (EBS) is continuously telescopic and self supported in any extended position
- Installation set with a sleeve tube bell with integrated locking function: connects the installation kit firmly to the DAV, unintentional release is prevented
- A foam rubber ring in the sleeve tube bell prevents dirt from penetrating into the installation set
- Subsequent tapping with the installation set DBS (EBS) from the surface box is possible
- High torques can be transferred because of a solid construction