

DAV TL

Top-loading tapping valve, SDR 11

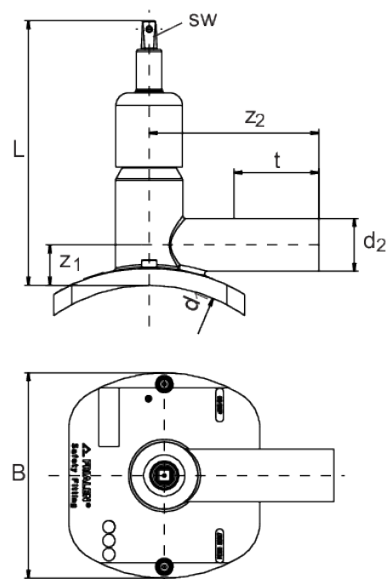
Top-loading tapping valve DAV TL SDR 11

- Gas and water
- Working pressure: MOP (gas) 10 bar, PFA (water) 16 bar
- Material: PE 100-RC
- Universal clamping option (top loading):
 - Safe clamping with FRIATOP
 - Universal adaptation to pipe diameter
- Integrated drill with upper and lower inner stop
- Maximum 10 turns for opening and closing
- Safety technology
- ÖVGW test mark: G2.318, GRISW1.256

Note:

Can only be fused with the clamping device FRIATOP (Order No. 613350).

There is a suitable installation kit DBS with KlickFix and foam rubber for wrench size SW14 (14 mm).



PE 100-RC SDR 11

Maximum permissible working pressure 16 bar (water) / 10 bar (gas)



Reference	d ₁	d ₂	B	D1	L	t	z ₁	z ₂	Drilling Ø da	Turns open/close	Weight [kg]	BX	Pallet quantity
616464	250-315	63	220	250-315	251	117	42	176	30	10	2,300	7	56
616465	355-400	63	220	355-400	251	117	42	176	30	10	2,470	7	56

DAV TL

Top-loading tapping valve, SDR 11

Areas of Application

FRIALEN-Pressure Tapping Valve DAV-TL is used for branches of unpressurised and pressurised pipes for the variable adaptation to all pipe diameters within the indicated range.

The FRIALEN pressure tapping valve can be fused with pipes of the SDR levels 11 to 17.6.

Other levels of SDR can be processed on request. Please note the mandatory labels directly on the product.

Other outlet dimensions with reducing couplers MR.

Assembly Instructions

The fusion of the HD-PE distribution pipes and the house connections with the FRIALEN-Pressure Tapping Valves takes place by FRIALEN-fusing – leakproof and longitudinally strong.

The saddle and the outlet spigot have to be prepared according to the general installation instructions (see "Assembly Instructions" for "FRIALEN-Large pipe technique and pipe network relining"). This involves removing the oxide skin, to clean and clamp the construction part onto pipe using FRIALEN clamping device FRIATOP.

Good reasons for using the FRIALEN-DAV:

- Only 10 turns to activate "OPEN/CLOSE"
- Simplified use due to low drilling torque
- Fusing and drilling of the main under maximum working pressure gas/water
- Compact part in HD-PE
- Preassembled unit without loose parts
- No preventive measures necessary with regard to corrosion
- Actuating spindle in stainless steel
- Swarfless tapping due to rotating punching drill made of stainless steel
- Punched-out pipe piece remains securely in drill
- Drill with upper and lower stop
- Length of outlet spigot dimensioned for two fusion operations
- Maintenance free, operating isolating valve actuated by a linkage (e.g. FRIALEN-EBS)
- Additional barcode for tracing back the underground fitting (Traceability-Coding)