

GAB

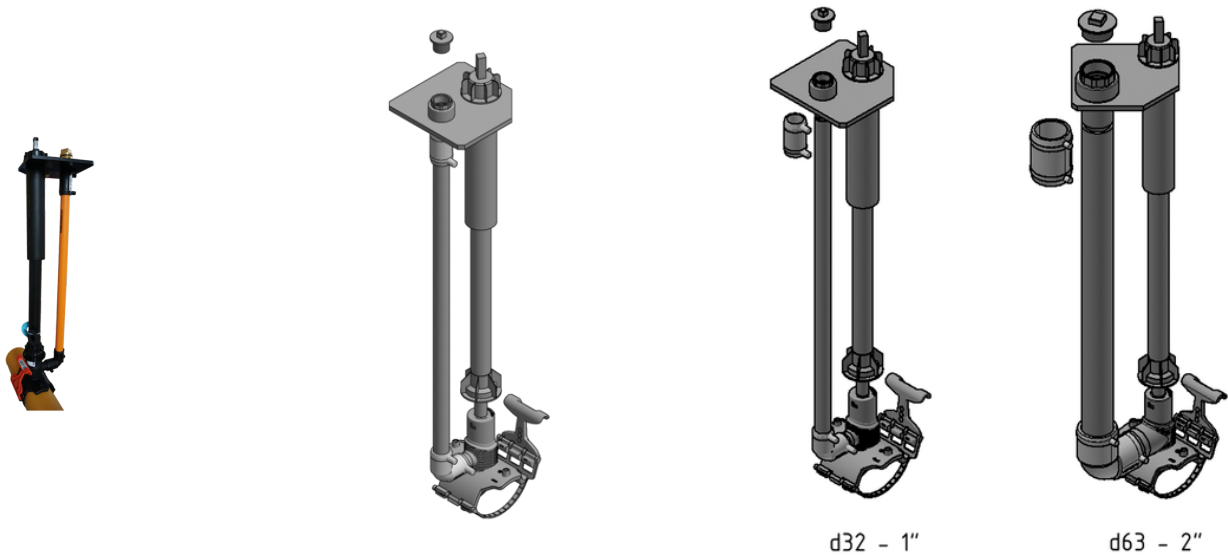
Purge stack for venting gas pipes

Purge stack GAB for venting PE gas pipes

- Gas and H₂
- Working pressure: MOP (gas) 10 bar
- Material: PE 100
- Blow-out aperture: 1" and 2"
- With DAV RED SNAP
- Telescopic bar:
 - Length adjustment
 - Continuously adjustable (without tools)
- Maximum 9 turns for opening and closing
- Safety technology
- DVGW test mark: DV-6611AU2255

Note:

The GAB is delivered without additional tools.



PE 100 SDR 11

Maximum permissible working pressure 10 bar (gas)



| Reference | R | d ₁ | RD [m] | D1 | Weight [kg] | BX |
|-----------|----|----------------|-----------|-----|-------------|----|
| 2006380 | 1" | 63 | 0,7 - 1,0 | 63 | 4,440 | 1 |
| 2006383 | 2" | 63 | 0,7 - 1,0 | 63 | 6,710 | 1 |
| 2009080 | 1" | 90 | 0,7 - 1,0 | 90 | 5,240 | 1 |
| 2009083 | 2" | 90 | 0,7 - 1,0 | 90 | 7,400 | 1 |
| 2011080 | 1" | 110 | 0,7 - 1,0 | 110 | 5,500 | 1 |
| 2011083 | 2" | 110 | 0,7 - 1,0 | 110 | 7,650 | 1 |

GAB

Purge stack for venting gas pipes

| Reference | R | ch | RD [m] | D1 | Weight [kg] | BX |
|-----------|----|-----|-----------|-----|-------------|----|
| 2012580 | 1" | 125 | 0,7 - 1,0 | 125 | 5,700 | 1 |
| 2012583 | 2" | 125 | 0,7 - 1,0 | 125 | 7,850 | 1 |
| 2016080 | 1" | 160 | 0,7 - 1,0 | 160 | 6,200 | 1 |
| 2016083 | 2" | 160 | 0,7 - 1,0 | 160 | 8,330 | 1 |
| 2018080 | 1" | 180 | 0,7 - 1,0 | 180 | 6,200 | 1 |
| 2018083 | 2" | 180 | 0,7 - 1,0 | 180 | 8,340 | 1 |
| 2020080 | 1" | 200 | 0,7 - 1,0 | 200 | 6,300 | 1 |
| 2022580 | 1" | 225 | 0,7 - 1,0 | 225 | 6,300 | 1 |
| 2022583 | 2" | 225 | 0,7 - 1,0 | 225 | 8,440 | 1 |

GAB

Purge stack for venting gas pipes

Execution and scope of delivery

The FRIALEN purge stack GAB is available in two executions;

- with blow-out 1" and purge stack plate available in square design,
- with blow-out 2" and purge stack plate available in diagonal design.

Areas of Application

The FRIALEN purge stack GAB is used for venting pressurized gas pipes during filling or in operation for use as a measuring point fitting for verification of the odorization content.

Assembly Instructions

The venting pipe of the FRIALEN purge stack GAB is one metre long as standard and can be adapted to the respective cover height on site. Longer venting pipes are available on request, please note when ordering.

The actuating rods (installation set EBS) can be infinitely adjusted within the specified range without additional tools.

The fusion of the FRIALEN purge stack GAB fitted with the pressure tapping valve (DAV) to the PE-HD pipe takes place using FRIALEN-fusing – leakproof and longitudinally strong.

Good reasons for using the FRIALEN Purge stack GAB:

- Compact design
- Maximum working pressure up to 10 bar (MOP 10)
- Easy installation of all components and flexible adjustment of the venting pipe to the respective cover height on site
- Purge stack plate suitable for all valve boxes type DIN 3582
- Plug with safety vent hole
- Plug with manufacturer confirmation for gas applications → quality plug
- Venting pipe and purge stack plate are torsion resistant connected
- Purge stack plate routes the actuating rod and define the position of the purge stack cap
- Locking pipe anchors itself in the ground and absorbs the actuating force
- All components (except quality plug with safety vent hole) with DVGW-Registration