

# AKHP

## Tapping ball valve for side tapping under pressure

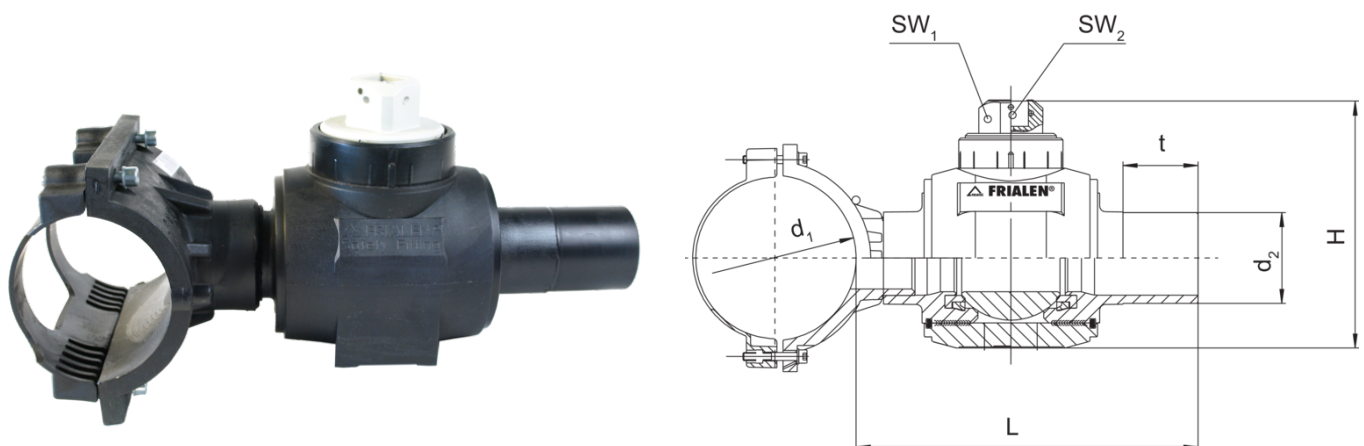
Tapping ball valve AKHP for gas

- Gas and H<sub>2</sub>
- Working pressure: MOP (gas) 10 bar
- Material: PE 100
- Gasket: NBR
- 1/4 turns for opening and closing
- Saddle component with clamp
- Safety technology
- DVGW test mark: DG-8631AU2252 and DG-8631AU2253

### Note:

There is a suitable installation kit KBS for wrench sizes SW14 (14 mm) and SW30 (30 mm).

For tapping under pressure, we recommend the tapping tool from Hütz & Baumgarten ([www.huetz-baumgarten.de](http://www.huetz-baumgarten.de)).



PE 100 SDR 11

Maximum permissible working pressure 10 bar (gas)



Reference	d <sub>1</sub>	d <sub>2</sub>	D1	H	L	t	Drilling Ø da	SW1	SW2	Weight [kg]	BX	Pallet quantity
615427	110	63	110	180	330	110	42	50 x 50	25	3,080	6	48
615428	110	90	110	240	335	90	60	50 x 50	25	4,670	4	32
615431	125	90	125	240	335	90	60	50 x 50	25	4,790	4	32
615433	160	63	160	180	330	110	42	50 x 50	25	3,300	4	32
615434	160	90	160	240	335	90	60	50 x 50	25	4,970	4	32
615437	180	90	180	240	335	90	60	50 x 50	25	4,990	4	32
615440	225	90	225	240	335	90	60	50 x 50	25	5,000	4	32

## Tapping ball valve for side tapping under pressure

### Areas of Application

The FRIALEN-Tapping Ball Valve, completely made from HD-PE, makes it possible to tap sideways into an operational HD-PE mains under gas and water pressure (no drinking water!) – without any escape of gas or water.

FRIALEN safety fittings can be fused with pipes with SDR levels 11 to 17.6. DVGW test marks issued by AKHP: DG-8631AU2252 and DG-8631AU2253

### Assembly Instructions

The fusion of FRIALEN Tapping Ball Valves to the HD-PE main takes place by FRIALEN fusing – leakproof and longitudinally strong. The pipe and the saddle have to be prepared (oxide layer removal/cleaning) in accordance with the general installation instructions (see „Assembly Instructions“ for FRIALEN Safety Fittings for house connections and distribution pipes up to d 225).

### Tapping of the HD-PE pipe under operating pressure

For this we recommend the tapping equipment of Hütz + Baumgarten. It is clamped onto the exposed fusion end of the ball valve. The tapping of the HD-PE pipe takes place through the opened ball valve and is leakage free.

### Actuating the shut-off valve

By the telescopic actuating installation kit KBS from the valve cover.

### Good reasons for using the FRIALEN-Tapping Ball Valves:

- Fusioning and tapping under pressure saves time-consuming and expensive shut-offs and emergency supply during the integration
- Installation of mains and service lines takes place on one level and thus affords advantages in the planning stages
- Construction and connecting works are reduced to a minimum
- The ball valve can be used as a shut-off device afterwards
- Additional barcode for tracing back the underground fitting (Traceability-Coding)