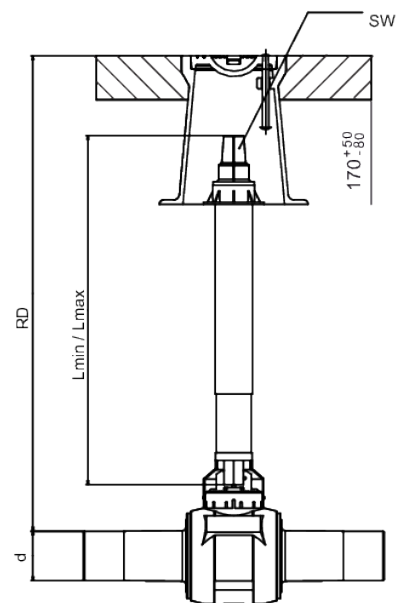


KBS

Installation kit for ball valves

Installation kit KBS for ball valves

- To operate the ball valves from the road cap downwards
- Wrench size SW14 (14 mm) and SW30 (30 mm)
- Telescopic bar:
 - Length fitting
 - Continuously adjustable (without tools)
- Self-supporting
- Corrosion protected (actuating element and coupling sleeve made of hot-dip galvanised cast steel, linkage made of hot-dip galvanised steel)



Reference	Diameter	RD [m]	L	SW	Weight [kg]	BX	Palet quantity
617586	20-50	0,62 - 0,79	0,35 - 0,52 m	30 + 14	2,000	1	42
617587	20-50	0,77 - 1,09	0,50 - 0,82 m	30 + 14	2,000	1	42
617588	20-50	1,02 - 1,59	0,75 - 1,32 m	30 + 14	3,600	1	42
617589	20-50	1,27 - 2,09	1,00 - 1,82 m	30 + 14	4,450	1	42
617590	63-225	0,75 - 1,05	0,48 - 0,78 m	30 + 14	2,780	1	42
617591	63-225	1,00 - 1,56	0,73 - 1,29 m	30 + 14	4,200	1	42
617592	63-225	1,25 - 2,06	0,98 - 1,79 m	30 + 14	4,950	1	42

KBS

Installation kit for ball valves

Areas of Application

Telescopic installation kit for operation of the FRIALEN KHP, KH, KHW, AKHP und AKHP-TL from the street cap.

Wrench size SW₁ 14 mm for use as a domestic connection fitting

Other lengths available on request.

For ball valve KH d 50 with the same pipe, select variant d 63-225

Assembly Instructions

Before fusion, the FRIALEN KHP, KH, KHW, AKHP and AKHP-TL must be aligned to suit the type of actuation intended, in order to ensure that the installation kit KBS will seat correctly.

Good reasons for using the FRIALEN Installation kits KBS:

- Protective pipe of polyethylene protects from intrusion of sand or soil
- Assembly without tools
- Self supporting in any extended position
- Safe from being pulled out
- Corrosion protected
- Telescope assembly set can be adjusted even once in place and filled
- Constructive harmonizing of the transferable torque onto the FRIALEN Ball Valve
- Connection pins made from stainless steel
- Coloured marking disk for use with gas and water
- Parts of the protective pipe are fully welded together