

SPA

Balloon shut off saddle

Balloon shut off saddle SPA

- Gas, water and H₂
- Working pressure: MOP (gas) 10 bar, PFA (water) 16 bar
- Material: PE 100-RC and brass
- Saddle component with clamp
- Safety technology

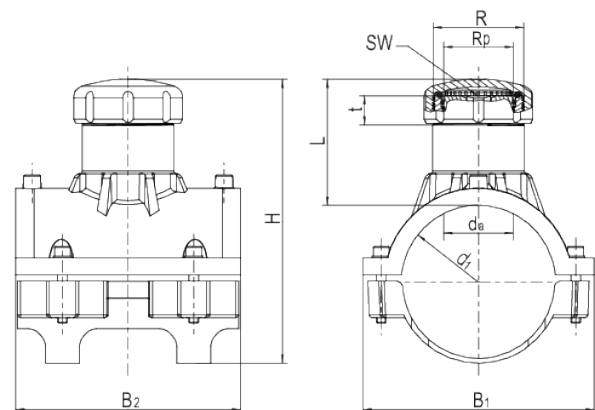
Note:

Brass female and male threads are anchored in the HD-PE in a non-detachable and non-rotatable manner.

Including brass plug with recessed square. For the accommodation of commercially available balloon setting devices.

Access protection for the dome by means of the supplied screw cap or by fusion on a FRIALEN SPAK (for d 63 by cap DK, Order No. 612310).

When using hydrogen, the SPA Balloon shut off saddle is only in conjunction with the cap SPAK (Order No. 612311).



PE 100-RC SDR 11

Maximum permissible working pressure 16 bar (water) / 10 bar (gas)



	Reference	R	d ₁	R _p	B1	B2	D1	H	L	t	Drilling Ø d _a	Weight [kg]	BX	Pallet quantity
1	612753	1 1/2"	63	1 1/8"	108	118	63	151	80	19	31	0,610	20	360
	612677	2 1/2"	90	2"	156	150	90	197	104	24	56,5	1,390	16	128
	612750	2 1/2"	110	2"	178	180	110	217	104	24	56,5	1,480	12	96
	612751	2 1/2"	125	2"	190	185	125	232	104	24	56,5	1,690	12	96
	612752	2 1/2"	160	2"	230	195	160	267	104	24	56,5	1,830	8	64
	612754	2 1/2"	180	2"	235	195	180	287	104	24	56,5	1,830	7	56
	612755	2 1/2"	200	2"	252	193	200	307	104	24	56,5	1,910	6	48

SPA

Balloon shut off saddle

Reference	R	d ₁	R _p	B1	B2	D1	H	L	t	Drilling Ø da	Weight [kg]	BX	Pallet quantity
612756	2 1/2"	225	2"	258	193	225	332	104	24	56,5	1,920	5	40

¹ d 63 can only be fused with pipes of the SDR level 11.

SPA

Balloon shut off saddle

Areas of Application

FRIALEN-Shut off Saddles SPA are used to shut off the medium using commercially available balloon setting devices or for venting / flushing.

FRIALEN safety fittings are fusion-capable with PE pipes according to the specifications of the SDR pipe series on the barcode sticker/ datasheet of the respective fitting. The minimum wall thicknesses specified in the standards EN1555-1, EN 12201-1 and ISO 4437 must be observed.

Assembly Instructions

The fusion of the HD-PE main line with FRIALEN-Shut off Saddles SPA are carried out by FRIALEN-fusing – tight and longitudinally force-locking.

Pipe and saddle are prepared according to the general assembly requirements (see assembly instructions: „FRIALEN safety fittings for sustainable pipes for gas, water networks and industrial systems made of PE“) (remove/clean oxide layer from pipe).

Good reasons for using the FRIALEN-Shut off Saddles SPA:

- Compact construction
- Open wire technology for direct heat transmission
- Preassembled unit without loose parts
- For use with commercially available balloon setting devices and for tapping into the main pipe
- Long and solid brass external thread for a safe connection of the shut off equipment
- Brass internal thread for a safe sealing with a plug, permanently attached and rotationally safe anchored in the HD-PE
- Includes brass plugs with recessed square drive
- Access protection for the dome is provided by the supplied screw cap or by fusing on a FRIALEN SPAK or DK
- Additional barcode for tracing back the underground fitting (Traceability-Coding)