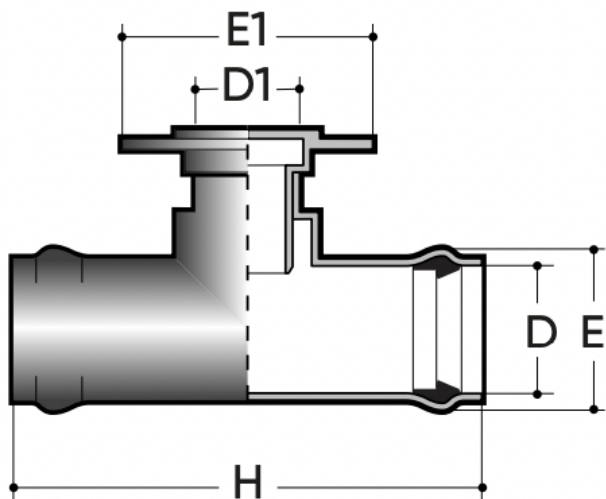


Té à bride 90° PN10

Bride réduite 90° en PVC-U, Gris RAL 7011, Raccordement par bague en caoutchouc, FORSHEDA 601 POWER-LOCK® sur demande.

Les raccords sont conformes aux normes EN ISO 1452, DIN 8063, ISO 2045, ISO/DIS 6455 pour le transport de fluides sous pression pour l'eau potable, les eaux usées et les fluides alimentaires : huile, vin, lait.



Référence

TFVP08315300SBL

TFVP10063050SBL

TFVP10075050SBL

TFVP10075065SBL

TFVP10090050SBL

TFVP10090065SBL

TFVP10090080SBL

TFVP10110050SBL

TFVP10110065SBL

TFVP10110080SBL

TFVP10110100SBL

TFVP10125050SBL

TFVP10125065SBL

TFVP10125080SBL

TFVP10125100SBL

TFVP10125110SBL

TFVP10140050SBL

TFVP10140065SBL

TFVP10140080SBL

Té à bride 90° PN10

Référence
TFVP10140100SBL
TFVP10140110SBL
TFVP10140125SBL
TFVP10160050SBL
TFVP10160065SBL
TFVP10160080SBL
TFVP10160100SBL
TFVP10160110SBL
TFVP10160125SBL
TFVP10160150SBL
TFVP10180180SBL
TFVP10200050SBL
TFVP10200065SBL
TFVP10200080SBL
TFVP10200100SBL
TFVP10200110SBL
TFVP10200125SBL
TFVP10200150SBL
TEE A 90° FLANGIATA
TFVP10225150SBL
TFVP10225200SBL
TFVP10250225SBL
TFVP10280280SBL