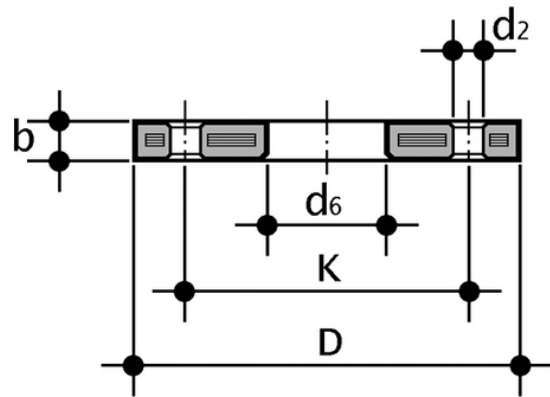


## OAB – Bride série ANSI

Bride libre en acier revêtu PP/FRP ANSI B16.5 cl.150 pour colliers QRNM et QRAM.



Référence	product.detail.attribute.[["d (inch)"]
OAB012	1\2\"
OAB034	3\4\"
OAB100	1\"
OAB114	1\1\4\",["DN","32"],["b","16"],["D","130"],["d2 mm","16"],["d2 inch","5\8\""]
OAB112	1\1\2\",["DN","40"],["b","18"],["D","133"],["d2 mm","16"],["d2 inch","5\8\""]
OAB200	2\"
OAB212	2\1\2\",["DN","65"],["b","18"],["D","184"],["d2 mm","20"],["d2 inch","3\4\""]
OAB300	3\"
OAB400	4\"
OAB814	*14\"
OAB816	*16\"