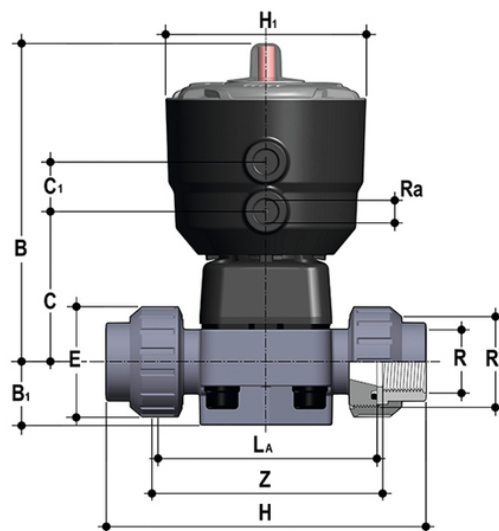


DKUFC/CP NC – Vanne à membrane à commande pneumatique PN10 DN 15:65

Vanne à membrane à actionnement pneumatique avec raccords femelles, filetage cylindrique pour le gaz. Fonction normalement fermée.



EPDM

Référence	product.detail.attribute.[["R"
DKUFCNC012E	1\2\]"
DKUFCNC034E	3\4\]"
DKUFCNC100E	1\]"
DKUFCNC114E	1\1\4\]",["DN","32"],["PN","10"],["B","163"],["B[5:1]","30"],["C","82"],["C[5:1]","24"],["E","72"],["H","188"],["H[5:1]","97"],["L[5:α]","134"],["R[5:1]","2\]"
DKUFCNC112E	1\1\2\]",["DN","40"],["PN","10"],["B","207"],["B[5:1]","35"],["C","112"],["C[5:1]","24"],["E","79"],["H","208"],["H[5:1]","126"],["L[5:α]","154"],["R[5:1]","2\1\2\]"
DKUFCNC200E	2\]"

FKM

Référence	product.detail.attribute.[["R"
DKUFCNC012F	1\2\]"
DKUFCNC034F	3\4\]"
DKUFCNC100F	1\]"
DKUFCNC114F	1\1\4\]",["DN","32"],["PN","10"],["B","163"],["B[5:1]","30"],["C","82"],["C[5:1]","24"],["E","72"],["H","188"],["H[5:1]","97"],["L[5:α]","134"],["R[5:1]","2\]"
DKUFCNC112F	1\1\2\]",["DN","40"],["PN","10"],["B","207"],["B[5:1]","35"],["C","112"],["C[5:1]","24"],["E","79"],["H","208"],["H[5:1]","126"],["L[5:α]","154"],["R[5:1]","2\1\2\]"
DKUFCNC200F	2\]"



DKUFC/CP NC – Vanne à membrane à commande pneumatique PN10 DN 15:65

PTFE

Référence	product.detail.attribute.[["R"
DKUFCNC012P	1\2\]
DKUFCNC034P	3\4\]
DKUFCNC100P	1\]
DKUFCNC114P	1\1\4],[["DN","32"],["PN","10"],["B","163"],["B[5:1]","30"],["C","82"],["C[5:1]","24"],["E","72"],["H","188"],["H[5:1]","97"],["L[5:a]","134"],["R[5:1]","2\]]
DKUFCNC112P	1\1\2],[["DN","40"],["PN","10"],["B","207"],["B[5:1]","35"],["C","112"],["C[5:1]","24"],["E","79"],["H","208"],["H[5:1]","126"],["L[5:a]","154"],["R[5:1]","2\1\2]]
DKUFCNC200P	2\]

