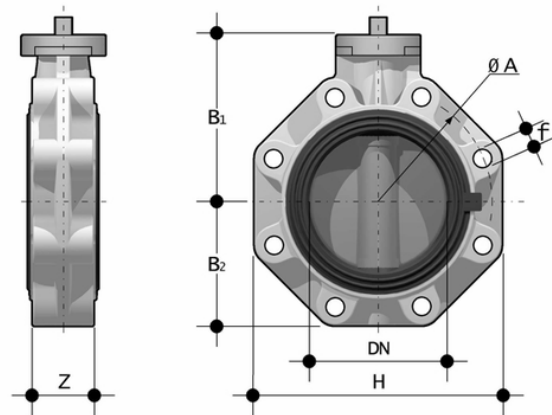


FKOF/FM /SF LUG ANSI - Valvola a farfalla DN 40:400

Valvola a farfalla a stelo libero versione Lug ANSI.



| Codice | d | DN | PN | øA | B ₁ | B ₂ | f | H | U | Z | g |
|-----------------|--------|-----|----|-------|----------------|----------------|------|-----|----|----|------|
| FKOALFFM212F0SF | 2" 1/2 | 65 | 10 | 139,7 | 119 | 80 | 5/8" | 165 | 4 | 46 | 1500 |
| FKOALFFM300F0SF | 3" | 80 | 10 | 152,4 | 133 | 93 | 5/8" | 185 | 12 | 49 | 2350 |
| FKOALFFM400F0SF | 4" | 100 | 10 | 190,5 | 147 | 107 | 5/8" | 211 | 8 | 56 | 2700 |
| FKOALFFM500F0SF | 5" | 125 | 10 | 215,9 | 167 | 120 | 3/4" | 240 | 8 | 64 | 4350 |
| FKOALFFM600F0SF | 6" | 150 | 10 | 241,3 | 180 | 134 | 3/4" | 268 | 8 | 70 | 5150 |