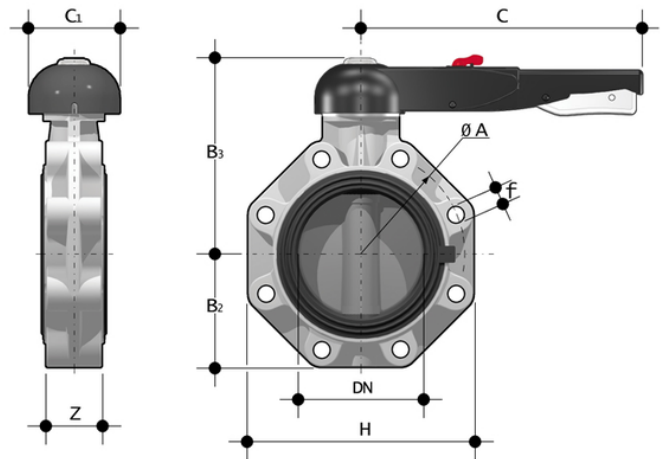


FKOF/LM LUG ISO-DIN - Valvola a farfalla DN 40:400

Valvola a farfalla a comando manuale versione Lug ISO-DIN.



Codice	d	DN	PN	øA	B ₂	B ₃	C	C ₁	f	H	U	Z	g
FKOLFLM075F0SF	75	65	10	145	80	164	175	110	M16	165	4	46	1970
FKOLFLM090F0SF	90	80	10	160	93	178	175	100	M16	185	12	49	2820
FKOLFLM110F0SF	110	100	10	180	107	192	272	110	M16	211	8	56	3170
FKOLFLM140F0SF	140	125	10	210	120	212	330	110	M16	240	8	64	4900
FKOLFLM160F0SF	160	150	10	240	134	225	330	110	M20	268	8	70	5700