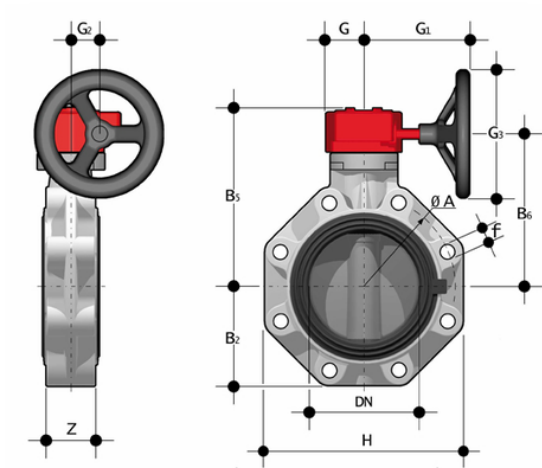


# FKOF/RM /SF LUG ISO-DIN - Valvola a farfalla DN 40:400

Valvola a farfalla con riduttore a volantino versione Lug ISO-DIN.



Codice	d	DN	PN	$\phi A$	B <sub>2</sub>	B <sub>5</sub>	B <sub>6</sub>	f	G	G <sub>1</sub>	G <sub>2</sub>	G <sub>3</sub>	H	U	Z	g
FKOLFRM075F0SF	75	65	10	145	80	174	146	M16	48	135	39	125	165	4	46	2900
FKOLFRM090F0SF	90	80	10	160	93	188	160	M16	48	135	39	125	185	12	49	3750
FKOLFRM110F0SF	110	100	10	180	107	202	174	M16	48	135	39	125	211	8	56	4100
FKOLFRM140F0SF	140	125	10	210	120	222	194	M16	48	144	39	200	240	8	64	6250
FKOLFRM160F0SF	160	150	10	240	134	235	207	M20	48	144	39	200	268	8	70	7050