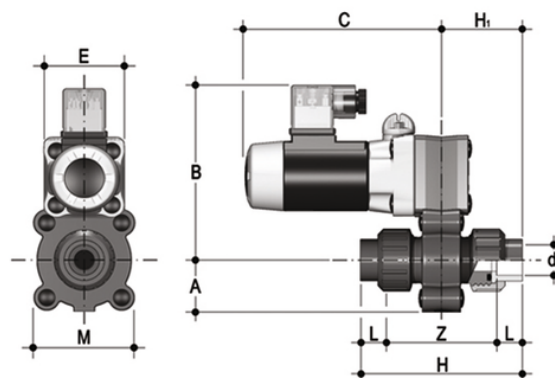


S12NV - 230V AC - valvola a solenoide a due vie a smontaggio radiale

Valvola a solenoide a 2 vie, con attacchi femmina filettati NPT a bocchettone.

Funzione: Normalmente Chiusa. Tensione di alimentazione: 230V AC



EPDM

| Codice | d | DN | A | B | C | H | H | L | Z | E | M | g |
|----------------|------|----|----|-----|-----|----|----|----|----|----|----|-----|
| S12NV0414E230A | 1/4" | 4 | 24 | 100 | 103 | 91 | 45 | 15 | 61 | 42 | 52 | 400 |
| S12NV0438E230A | 3/8" | 4 | 24 | 100 | 103 | 92 | 46 | 16 | 60 | 42 | 52 | 400 |
| S12NV0614E230A | 1/4" | 6 | 24 | 100 | 103 | 91 | 45 | 15 | 61 | 42 | 52 | 400 |
| S12NV0638E230A | 3/8" | 6 | 24 | 100 | 103 | 92 | 46 | 16 | 60 | 42 | 52 | 400 |
| S12NV0814E230A | 1/4" | 8 | 24 | 100 | 103 | 91 | 45 | 15 | 61 | 42 | 52 | 400 |
| S12NV0838E230A | 3/8" | 8 | 24 | 100 | 103 | 92 | 46 | 16 | 60 | 42 | 52 | 400 |

FKM

| Codice | d | DN | A | B | C | H | H | L | Z | E | M | g |
|----------------|------|----|----|-----|-----|----|----|----|----|----|----|-----|
| S12NV0414F230A | 1/4" | 4 | 24 | 100 | 103 | 91 | 45 | 15 | 61 | 42 | 52 | 400 |
| S12NV0438F230A | 3/8" | 4 | 24 | 100 | 103 | 92 | 46 | 16 | 60 | 42 | 52 | 400 |
| S12NV0614F230A | 1/4" | 6 | 24 | 100 | 103 | 91 | 45 | 15 | 61 | 42 | 52 | 400 |
| S12NV0638F230A | 3/8" | 6 | 24 | 100 | 103 | 92 | 46 | 16 | 60 | 42 | 52 | 400 |
| S12NV0814F230A | 1/4" | 8 | 24 | 100 | 103 | 91 | 45 | 15 | 61 | 42 | 52 | 400 |
| S12NV0838F230A | 3/8" | 8 | 24 | 100 | 103 | 92 | 46 | 16 | 60 | 42 | 52 | 400 |