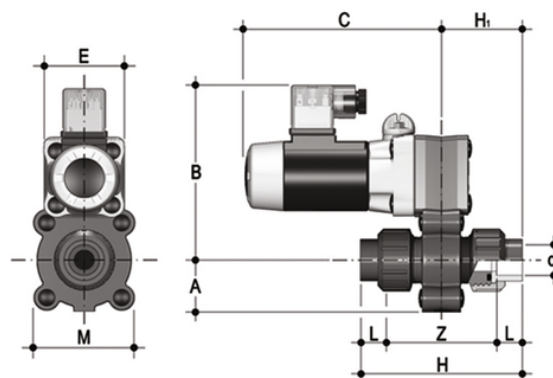


# S12FV - 230V AC - valvola a solenoide a due vie a smontaggio radiale

Valvola a solenoide a 2 vie, con attacchi femmina filettati BSP a bocchettone.

Funzione: Normalmente Chiusa. Tensione di alimentazione: 230V AC



## EPDM

| Codice         | d    | DN | A  | B   | C   | H  | H  | L    | Z  | E  | M  | g   |
|----------------|------|----|----|-----|-----|----|----|------|----|----|----|-----|
| S12FV0414E230A | 1/4" | 4  | 24 | 100 | 103 | 85 | 42 | 11   | 63 | 42 | 52 | 400 |
| S12FV0438E230A | 3/8" | 4  | 24 | 100 | 103 | 86 | 43 | 11,5 | 63 | 42 | 52 | 400 |
| S12FV0614E230A | 1/4" | 6  | 24 | 100 | 103 | 85 | 42 | 11   | 63 | 42 | 52 | 400 |
| S12FV0638E230A | 3/8" | 6  | 24 | 100 | 103 | 86 | 43 | 11,5 | 63 | 42 | 52 | 400 |
| S12FV0814E230A | 1/4" | 8  | 24 | 100 | 103 | 85 | 42 | 11   | 63 | 42 | 52 | 400 |
| S12FV0838E230A | 3/8" | 8  | 24 | 100 | 103 | 86 | 43 | 11,5 | 63 | 42 | 52 | 400 |

## FKM

| Codice         | d    | DN | A  | B   | C   | H  | H  | L    | Z  | E  | M  | g   |
|----------------|------|----|----|-----|-----|----|----|------|----|----|----|-----|
| S12FV0414F230A | 1/4" | 4  | 24 | 100 | 103 | 85 | 42 | 11   | 63 | 42 | 52 | 400 |
| S12FV0438F230A | 3/8" | 4  | 24 | 100 | 103 | 86 | 43 | 11,5 | 63 | 42 | 52 | 400 |
| S12FV0614F230A | 1/4" | 6  | 24 | 100 | 103 | 85 | 42 | 11   | 63 | 42 | 52 | 400 |
| S12FV0638F230A | 3/8" | 6  | 24 | 100 | 103 | 86 | 43 | 11,5 | 63 | 42 | 52 | 400 |
| S12FV0814F230A | 1/4" | 8  | 24 | 100 | 103 | 85 | 42 | 11   | 63 | 42 | 52 | 400 |
| S12FV0838F230A | 3/8" | 8  | 24 | 100 | 103 | 86 | 43 | 11,5 | 63 | 42 | 52 | 400 |