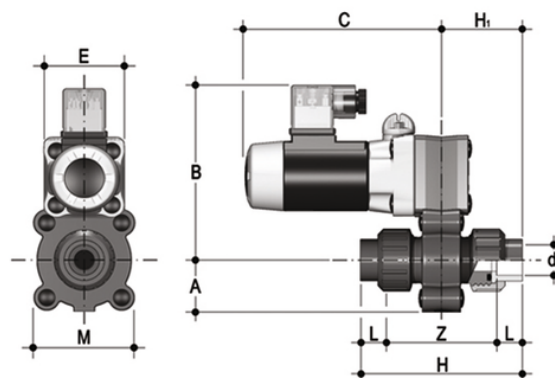


# S22AV - 24V DC - valvola a solenoide a due vie a smontaggio radiale

Valvola a solenoide a 2 vie, con attacchi femmina ASTM a bocchettone per incollaggio.

Funzione: Normalmente Chiusa. Tensione di alimentazione: 24V DC



## EPDM

| Codice         | d    | DN | A  | B   | C   | H   | H  | L  | Z  | E  | M  | g    |
|----------------|------|----|----|-----|-----|-----|----|----|----|----|----|------|
| S22AV0812E024C | 1/2" | 8  | 34 | 115 | 130 | 116 | 58 | 22 | 72 | 54 | 67 | 1000 |
| S22AV0838E024C | 3/8" | 8  | 34 | 115 | 130 | 109 | 55 | 19 | 71 | 54 | 67 | 1000 |
| S22AV1012E024C | 1/2" | 10 | 34 | 115 | 130 | 116 | 58 | 22 | 72 | 54 | 67 | 1000 |
| S22AV1038E024C | 3/8" | 10 | 34 | 115 | 130 | 109 | 55 | 19 | 71 | 54 | 67 | 1000 |
| S22AV1512E024C | 1/2" | 15 | 34 | 115 | 130 | 116 | 58 | 22 | 72 | 54 | 67 | 1000 |
| S22AV1538E024C | 3/8" | 15 | 34 | 115 | 130 | 109 | 55 | 19 | 71 | 54 | 67 | 1000 |

## FKM

| Codice         | d    | DN | A  | B   | C   | H   | H  | L  | Z  | E  | M  | g    |
|----------------|------|----|----|-----|-----|-----|----|----|----|----|----|------|
| S22AV0812F024C | 1/2" | 8  | 34 | 115 | 130 | 116 | 58 | 22 | 72 | 54 | 67 | 1000 |
| S22AV0838F024C | 3/8" | 8  | 34 | 115 | 130 | 109 | 55 | 19 | 71 | 54 | 67 | 1000 |
| S22AV1012F024C | 1/2" | 10 | 34 | 115 | 130 | 116 | 58 | 22 | 72 | 54 | 67 | 1000 |
| S22AV1038F024C | 3/8" | 10 | 34 | 115 | 130 | 109 | 55 | 19 | 71 | 54 | 67 | 1000 |
| S22AV1512F024C | 1/2" | 15 | 34 | 115 | 130 | 116 | 58 | 22 | 72 | 54 | 67 | 1000 |
| S22AV1538F024C | 3/8" | 15 | 34 | 115 | 130 | 109 | 55 | 19 | 71 | 54 | 67 | 1000 |