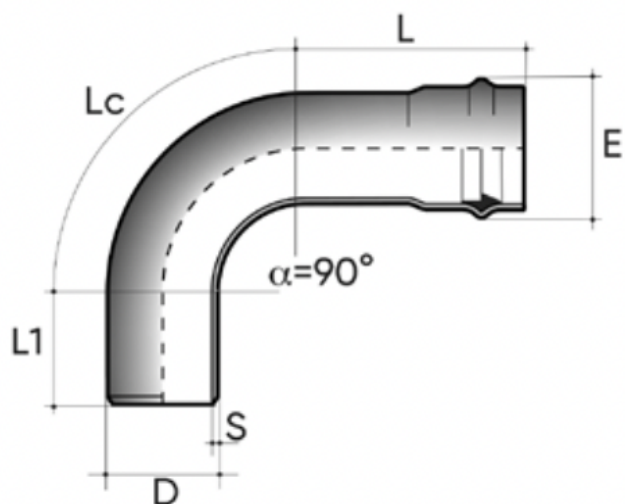


Curva POWER-LOCK 90° F/F PN16

Curva PVC-U, F/F, Grigio RAL 7011, connessione FORSHEDA 601 POWER-LOCK®.



Codice	D (mm)	E (mm)	L (mm)	Lc (mm)	L1 (mm)	Peso (gr)
PBVPN16063FF9L	63	86	270	350	270	1140
PBVPN16075FF9L	75	102	260	410	265	1690
PBVPN16090FF9L	90	120	280	480	290	2710
PBVPN16110FF9L	110	144	355	560	355	3990
PBVPN16125FF9L	125	161	320	685	320	5300
PBVPN16140FF9L	140	178	360	770	330	7550
PBVPN16160FF9L	160	202	335	880	315	10270
PBVPN16180SS9L	180*	224	560	780	590	16890
PBVPN16200FF9L	200	238	560	1460	570	26870
PBVPN16225FF9L	225	276	660	1710	650	41010
PBVPN16250FF9L	250	305	660	1720	650	50240
PBVPN16280FF9L	280	341	745	1930	745	72530
PBVPN16315FF9L	315	382	680	2240	650	91860