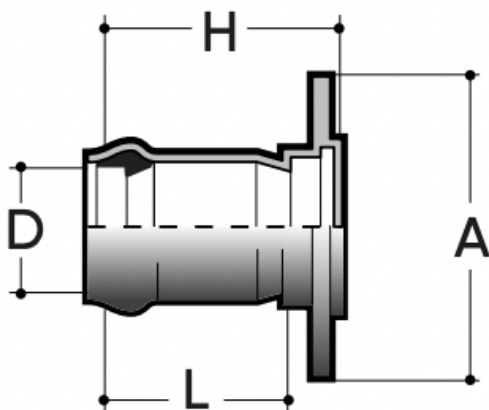


Riduzione con Flangia PN10

Toulipe ridotto PVC-U, M/F, Grigio RAL 7011, connessione FORSHEDA 601 POWER-LOCK®.



Codice	D x dn (mm)	Ø A x n.fori (mm)	L (mm)	H (mm)	Peso (gr)
TRVP10075050FBL	75x50	125x4	120	350	769
TRVP10090050FBL	90x50	125x4	120	365	1092
TRVP10090065FBL	90x65	145x4	120	365	1092
TRVP10110050FBL	110x50	125x4	130	390	1449
TRVP10110065FBL	110x65	145x4	130	390	1449
TRVP10110080FBL	110x80	160x8	130	390	1449
TRVP10125050FBL	125x50	125x4	140	420	1846
TRVP10125065FBL	125x65	145x4	140	420	1846
TRVP10125080FBL	125x80	160x8	140	420	1846
TRVP10125100FBL	125x100	180x8	140	420	1846
TRVP10140050FBL	140x50	125x4	160	460	2409
TRVP10140065FBL	140x65	145x4	160	460	2409
TRVP10140080FBL	140x80	160x8	160	460	2409
TRVP10140100FBL	140x100	180x8	160	460	2.409
TRVP10160080FBL	160x80	160x8	160	500	3321
TRVP10160100FBL	160x100	180x8	160	500	3321
TRVP10160125FBL	160x125	210x8	160	500	3321
TRVP10200080FBL	200x80	160x8	200	620	5632
TRVP10200100FBL	200x100	180x8	200	620	5632
TRVP10200125FBL	200x150	240x8	200	620	5632
TPVP10225200FBL	225x200	295x8	210	390	6300