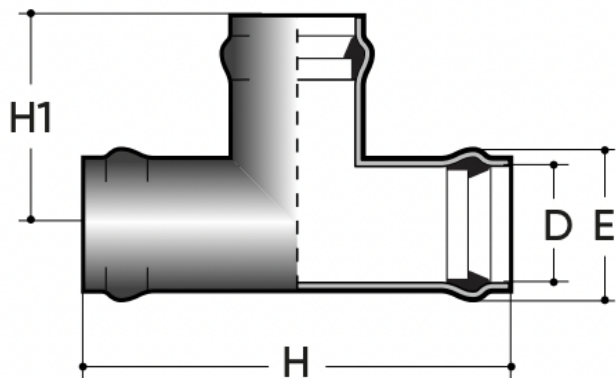


# Tee a 90° F/F PN10

Derivazione a 90° PVC-U, F/F, Grigio RAL 7011, connessione Rubber ring, FORSHEDA 601 POWER-LOCK® su richiesta.



Codice	D x D1 (mm)	E (mm)	H (mm)	H1 (mm)	Peso (gr)
T9VP08315SSL**	*315	382	1194	597	55000
T9VP10063SSL	63	92	274	137	780
T9VP10075SSL	75	107	300	150	1140
T9VP10090SSL	90	126	330	165	1745
T9VP10110SSL	110	151	370	185	2745
T9VP10125SSL	125	169	400	200	3700
T9VP10140SSL	140	178	650	325	7440
T9VP10160SSL	160	213	462	231	6835
T9VP10180SSL	*180	224	788	394	14310
T9VP10200SSL	200	262	545	237	12500
T9VP10225SSL	*225	276	864	432	24950
T9VP10250SSL	*250	305	1012	506	29500
T9VP10280SSL	*280	341	1020	510	39230