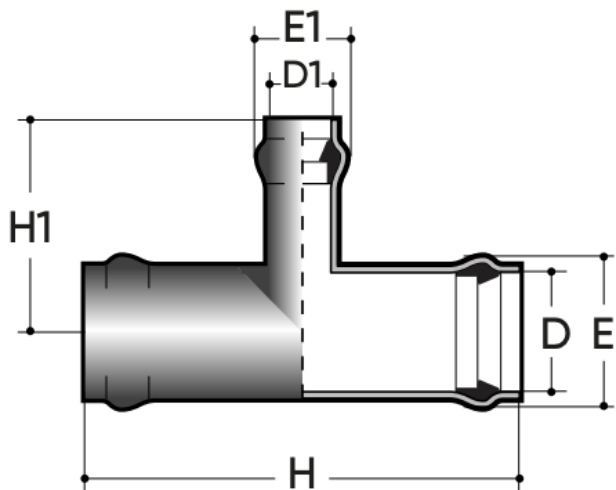


Tee a 90° con derivazione ridotta PN10

Derivazione ridotta a 90° PVC-U, Grigio RAL 7011, connessione Rubber ring, FORSHEDA 601 POWER-LOCK® su richiesta.



Codice	D x D1 (mm)	H (mm)	H1 (mm)	E (mm)	E1 (mm)	Peso (gr)
TRVP08315250SSL	*315x250	1176	582	381	305	50515
TRVP10075063SSL	75x63	300	144	107	92	1130
TRVP10090063SSL	90x63	330	154	126	92	1530
TRVP10090075SSL	90x75	330	160	126	107	1600
TRVP10110063SSL	110x63	370	166	151	92	2300
TRVP10110075SSL	110x75	370	172	151	107	2385
TRVP10110090SSL	110x90	370	177	151	126	2530
TRVP10125063SSL	125x63	400	173	169	92	3230
TRVP10125075SSL	125x75	400	179	169	107	3300
TRVP10125090SSL	125x90	400	184	169	126	3390
TRVP10125110SSL	125x110	400	192	169	92	3545
TRVP10140063SSL	140x63	630	283	178	151	4825
TRVP10140075SSL	140x75	630	285	178	86	4910
TRVP10140090SSL	140x90	630	291	178	101	5070
TRVP10140110SSL	140x110	630	303	178	119	5300
TRVP10140125SSL	140x125	630	309	178	143	5575
TRVP10160063SSL	160x63	462	195	213	160	5540
TRVP10160075SSL	160x75	462	201	213	92	5625
TRVP10160090SSL	160x90	462	206	213	107	5780
TRVP10160110SSL	160x110	462	214	213	126	5970
TRVP10160125SSL	160x125	462	222	213	69	6225

Tee a 90° con derivazione ridotta PN10

Codice	D x D1 (mm)	H (mm)	H1 (mm)	E (mm)	E1 (mm)	Peso (gr)
TRVP10160140SSL	160x140	462	225	213	178	6500
TRVP10200063SSL	200x63	545	221	262	92	9460
TRVP10200075SSL	200x75	545	227	262	107	9545
TRVP10200090SSL	200x90	545	232	262	126	9700
TRVP10200110SSL	200x110	545	240	262	151	9890
TRVP10200125SSL	200x125	545	248	262	169	10145
TRVP10200140SSL	200x140	545	251	262	178	10665
TRVP10200160SSL	200x160	545	266	262	213	11190
TRVP10225160SSL	225x160	906	442	276	247	23800
TRVP10250160SSL	250x160	994	494	305	276	28175
TRVP10280200SSL	280x200	1060	544	341	305	37250