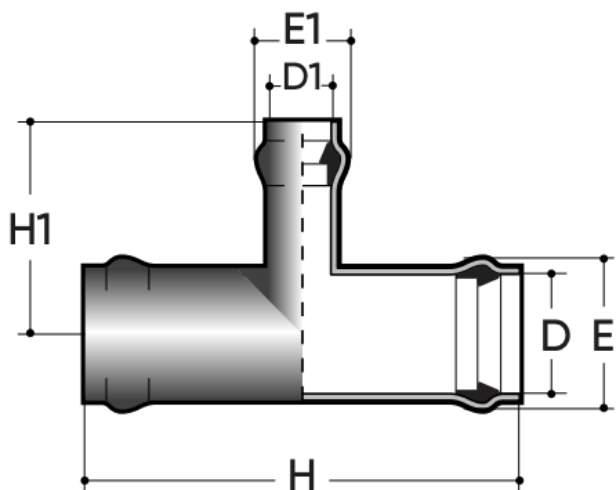


Tee a 90° con derivazione ridotta PN16

Derivazione ridotta a 90° PVC-U, Grigio RAL 7011, connessione Rubber ring, FORSHEDA 601 POWER-LOCK® su richiesta.



Codice	D x D1 (mm)	H (mm)	H1 (mm)	E (mm)	E1 (mm)	Peso (gr)
TRVP16075063SSL	75x63	300	144	107	92	1469
TRVP16090063SSL	90x63	330	154	126	92	1989
TRVP16090075SSL	90x75	330	160	126	107	2080
TRVP16110063SSL	110x63	370	166	151	92	2990
TRVP16110075SSL	110x75	370	172	151	107	3101
TRVP16110090SSL	110x90	370	177	151	126	3289
TRVP16125063SSL	125x63	400	173	169	92	4199
TRVP16125075SSL	125x75	400	179	169	107	4290
TRVP16125090SSL	125x90	400	184	169	126	4470
TRVP16125110SSL	125x110	400	192	169	92	4609
TRVP16140063SSL	140x63	630	283	178	151	6273
TRVP16140075SSL	140x75	630	285	178	86	6383
TRVP16140090SSL	140x90	630	291	178	101	6591
TRVP16140110SSL	140x110	630	303	178	119	6890
TRVP16140125SSL	140x125	630	309	178	143	7248
TRVP16160063SSL	160x63	462	195	213	160	7202
TRVP16160075SSL	160x75	462	201	213	92	7313
TRVP16160090SSL	160x90	462	206	213	107	7514
TRVP10160110SSL	160x110	462	214	213	126	7761
TRVP16160125SSL	160x125	462	222	213	69	8093
TRVP16160140SSL	160x140	462	225	213	178	8450