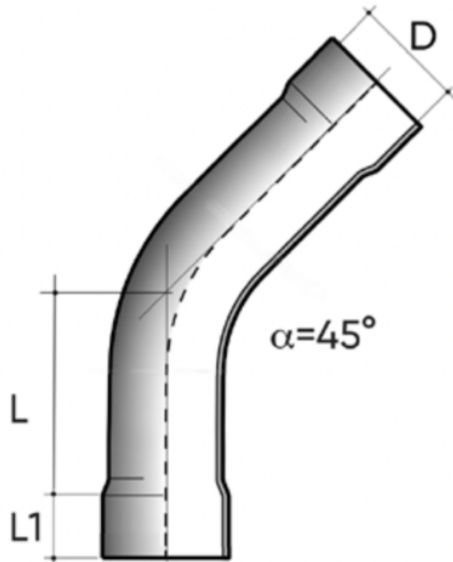


Curva termoformata R=1,5D 45° F/ F PN10

Curva PVC-U, F/F, Grigio RAL 7011, connessione incollaggio.



Codice	D (mm)	L (mm)	L1 (mm)
B4VP10050IIL	50	40	35
B4VP10063IIL	63	46	43
B4VP10075IIL	75	54	51
B4VP10090IIL	90	63	58
B4VP12110IIL	*110	80	70
B4VP12125IIL	*125	89	79
B4VP12140IIL	*140	98	87
B4VP12160IIL	*160	119	99
B4VP12180IIL	*200	143	122