

WRFA

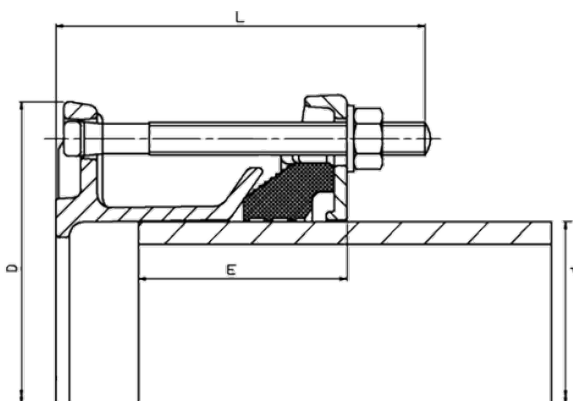
Adattatore per flangia ad ampio raggio (pezzo UE)

Adattatore a flangia per il collegamento di tubi di diversi materiali (acciaio, ghisa, ghisa duttile, cemento amianto, PVC, PE-HD/PEX).

- Alloggiamento e anello di supporto in acciaio
- Protezione anticorrosione Rilsan (min. 250 µm secondo GSK)
- Viti e dadi galvanizzati/rivestiti di poliestere o in acciaio inox
- Materiale della guarnizione EPDM
- Tolleranza sul diametro max. 17 mm
- I tubi possono essere angolati di max. 3 gradi
- Dimensioni delle connessioni a flangia secondo DIN EN1092, PN 10 e PN 16
- Campo di temperatura: -20°C - +30°C

Nota:

Per l'utilizzo su tubi PE-HD/PEX è necessario il nostro manicotto di supporto interno SHVA. In alternativa, si consiglia il prodotto di bloccaggio longitudinale FRIAGRIP.



Codice	product.detail.attribute.dSmall	product.detail.attribute.flanschDN	product.detail.attribute.flanschPN	Peso	product.detail.attri
GB-14R9-351-30	351,0-368,0	300	10	57,000	1
GB-16R9-351-30	351,0-368,0	300	16	57,000	1
GB-14R9-374-35	374,5-391,5	350	10	38,100	1
GB-16R9-374-35	374,5-391,5	350	16	38,100	1
GB-14R9-394-35	394,3-411,3	350	10	45,300	1
GB-16R9-394-35	394,3-411,3	350	16	39,800	1
GB-14R9-404-40	404,8-421,8	400	10	37,900	1
GB-16R9-404-40	404,8-421,8	400	16	39,600	1

WRFA

Adattatore per flangia ad ampio raggio (pezzo UE)

Codice	product.detail.attribute.dSmall	product.detail.attribute.flanschDN	product.detail.attribute.flanschPN	Peso	product.detail.attr
GB-14R9-425-40	425,0-442,0	400	10	35,500	1
GB-16R9-425-40	425,0-442,0	400	16	35,500	1
GB-14R9-447-40	447,2-464,2	400	10	45,900	1
GB-16R9-447-40	447,2-464,2	400	16	45,900	1
GB-14R9-455-40	455,0-472,0	400	10	50,000	1
GB-16R9-455-40	455,0-472,0	400	16	45,600	1
GB-14R9-501-45	501,9-518,9	450	10	53,700	1
GB-16R9-501-45	501,9-518,9	450	16	53,700	1
GB-14R9-501-50	501,9-518,9	500	10	53,700	1
GB-16R9-501-50	501,9-518,9	500	16	53,700	1
GB-14R9-510-50	510,0-527,0	500	10	48,000	1
GB-16R9-510-50	510,0-527,0	500	16	53,000	1
GB-14R9-527-50	527,0-544,0	500	10	42,900	1
GB-16R9-527-50	527,0-544,0	500	16	50,500	1
GB-14R9-540-50	540,1-557,1	500	10	50,500	1
GB-16R9-540-50	540,1-557,1	500	16	50,500	1
GB-14R9-555-50	555,3-572,3	500	10	62,000	1
GB-16R9-555-50	555,3-572,3	500	16	64,000	1
GB-14R9-566-50	566,5-583,5	500	10	62,200	1
GB-16R9-566-50	566,5-583,5	500	16	62,200	1
GB-14R9-582-50	582,2-599,2	500	10	54,200	1
GB-16R9-582-50	582,2-599,2	500	16	62,500	1
GB-14R9-601-60	601,0-618,0	600	10	63,000	1
GB-16R9-601-60	601,0-618,0	600	16	65,500	1
GB-14R9-630-60	630,5-647,5	600	10	63,400	1
GB-16R9-630-60	630,5-647,5	600	16	66,100	1
GB-14R9-645-60	645,2-662,2	600	10	63,100	1
GB-16R9-645-60	645,2-662,2	600	16	63,700	1
GB-14R9-675-60	675,0-692,0	600	10	64,400	1
GB-16R9-675-60	675,0-692,0	600	16	78,000	1

Codice	product.detail.attribute.dSmall	product.detail.attribute.flanschDN	product.detail.attribute.flanschPN	Peso	product.detail.attr
GB-14R9X351-30	351,0-368,0	300	10	32,800	1
GB-16R9X351-30	351,0-368,0	300	16	42,000	1
GB-14R9X374-35	374,5-391,5	350	10	38,100	1

WRFA

Adattatore per flangia ad ampio raggio (pezzo UE)

Codice	product.detail.attribute.dSmall	product.detail.attribute.flanschDN	product.detail.attribute.flanschPN	Peso	product.detail.attr
GB-16R9X374-35	374,5-391,5	350	16	38,100	1
GB-14R9X394-35	394,3-411,3	350	10	37,900	1
GB-16R9X394-35	394,3-411,3	350	16	37,900	1
GB-14R9X404-40	404,8-421,8	400	10	36,000	1
GB-16R9X404-40	404,8-421,8	400	16	39,600	1
GB-14R9X425-40	425,0-442,0	400	10	35,500	1
GB-16R9X425-40	425,0-442,0	400	16	33,700	1
GB-14R9X447-40	447,2-464,2	400	10	48,000	1
GB-16R9X447-40	447,2-464,2	400	16	48,000	1
GB-14R9X455-40	455,0-472,0	400	10	41,100	1
GB-16R9X455-40	455,0-472,0	400	16	41,100	1
GB-14R9X501-45	501,9-518,9	450	10	53,700	1
GB-16R9X501-45	501,9-518,9	450	16	53,700	1
GB-14R9X501-50	501,9-518,9	500	10	53,700	1
GB-16R9X501-50	501,9-518,9	500	16	53,700	1
GB-14R9X510-50	510,0-527,0	500	10	50,000	1
GB-16R9X510-50	510,0-527,0	500	16	53,000	1
GB-14R9X527-50	527,0-544,0	500	10	50,500	1
GB-16R9X527-50	527,0-544,0	500	16	50,500	1
GB-14R9X540-50	540,1-557,1	500	10	50,500	1
GB-16R9X540-50	540,1-557,1	500	16	50,500	1
GB-14R9X555-50	555,3-572,3	500	10	62,000	1
GB-16R9X555-50	555,3-572,3	500	16	64,000	1
GB-14R9X566-50	566,5-583,5	500	10	62,200	1
GB-16R9X566-50	566,5-583,5	500	16	62,200	1
GB-14R9X582-50	582,2-599,2	500	10	54,200	1
GB-16R9X582-50	582,2-599,2	500	16	60,000	1
GB-14R9X601-60	601,0-618,0	600	10	63,000	1
GB-16R9X601-60	601,0-618,0	600	16	65,500	1
GB-14R9X630-60	630,5-647,5	600	10	63,400	1
GB-16R9X630-60	630,5-647,5	600	16	66,100	1
GB-14R9X645-60	645,2-662,2	600	10	63,100	1
GB-16R9X645-60	645,2-662,2	600	16	63,700	1
GB-14R9X675-60	675,0-692,0	600	10	64,400	1
GB-16R9X675-60	675,0-692,0	600	16	78,000	1
GB-14R9X689-60	689,0-706,0	600	10	90,300	1

WRFA

Adattatore per flangia ad ampio raggio (pezzo UE)

Codice	product.detail.attribute.dSmall	product.detail.attribute.flanschDN	product.detail.attribute.flanschPN	Peso	product.detail.attr
GB-16R9X689-60	689,0-706,0	600	16	90,300	1
GB-14R9X710-70	710,0-727,0	700	10	70,000	1
GB-16R9X710-70	710,0-727,0	700	16	66,500	1
GB-14R9X733-70	733,0-750,0	700	10	74,000	1
GB-16R9X733-70	733,0-750,0	700	16	90,300	1