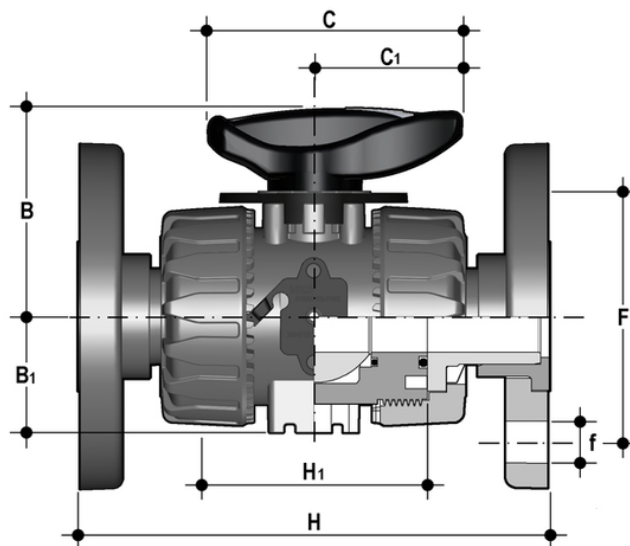


VKROM - Valvola di regolazione a sfera DUAL BLOCK® DN 10:50

Valvola di regolazione a sfera DUAL BLOCK® con flange fisse foratura EN/ISO/DIN PN10/16. Scartamento secondo EN 558-1.



EPDM

| Codice | d | DN | PN | B | B ₁ | C | C ₁ | F | f | H | H ₁ | U | Sp | g |
|-----------|----|----|----|------|----------------|-----|----------------|-----|----|-----|----------------|---|----|------|
| VKROM020E | 20 | 15 | 10 | 54 | 29 | 67 | 40 | 65 | 14 | 130 | 65 | 4 | 11 | 387 |
| VKROM025E | 25 | 20 | 10 | 65 | 34,5 | 85 | 49 | 75 | 14 | 150 | 70 | 4 | 14 | 504 |
| VKROM032E | 32 | 25 | 10 | 69,5 | 39 | 85 | 49 | 85 | 14 | 160 | 78 | 4 | 14 | 697 |
| VKROM040E | 40 | 32 | 10 | 82,5 | 46 | 108 | 64 | 100 | 18 | 180 | 88 | 4 | 14 | 1075 |
| VKROM050E | 50 | 40 | 10 | 89 | 52 | 108 | 64 | 110 | 18 | 200 | 93 | 4 | 16 | 1346 |
| VKROM063E | 63 | 50 | 10 | 108 | 62 | 134 | 76 | 125 | 18 | 230 | 111 | 4 | 16 | 2060 |

FKM

| Codice | d | DN | PN | B | B ₁ | C | C ₁ | F | f | H | H ₁ | U | Sp | g |
|-----------|----|----|----|------|----------------|-----|----------------|-----|----|-----|----------------|---|----|------|
| VKROM020F | 20 | 15 | 10 | 54 | 29 | 67 | 40 | 65 | 14 | 130 | 65 | 4 | 11 | 387 |
| VKROM025F | 25 | 20 | 10 | 65 | 34,5 | 85 | 49 | 75 | 14 | 150 | 70 | 4 | 14 | 504 |
| VKROM032F | 32 | 25 | 10 | 69,5 | 39 | 85 | 49 | 85 | 14 | 160 | 78 | 4 | 14 | 697 |
| VKROM040F | 40 | 32 | 10 | 82,5 | 46 | 108 | 64 | 100 | 18 | 180 | 88 | 4 | 14 | 1075 |
| VKROM050F | 50 | 40 | 10 | 89 | 52 | 108 | 64 | 110 | 18 | 200 | 93 | 4 | 16 | 1346 |
| VKROM063F | 63 | 50 | 10 | 108 | 62 | 134 | 76 | 125 | 18 | 230 | 111 | 4 | 16 | 2060 |