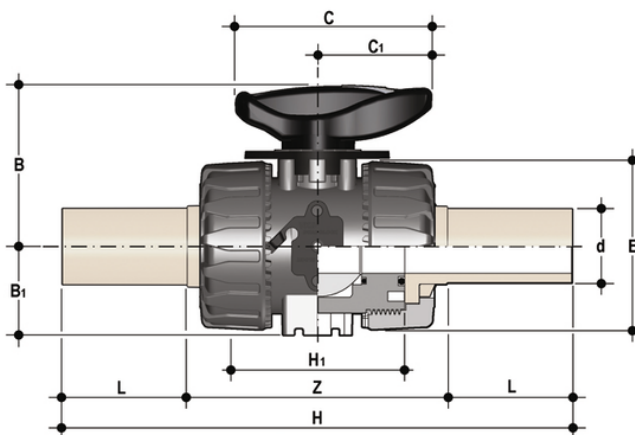


# VKRBM - Valvola di regolazione a sfera DUAL BLOCK® DN 10:50

Valvola di regolazione a sfera DUAL BLOCK® con attacchi maschio in PP-H a codolo lungo per saldatura di testa o per elettrofusioni (CVDI).



### EPDM

| Codice    | d  | DN | PN | B   | B <sub>1</sub> | C   | C <sub>1</sub> | E   | H   | H   | L    | Z   | g    |
|-----------|----|----|----|-----|----------------|-----|----------------|-----|-----|-----|------|-----|------|
| VKRBM020E | 20 | 15 | 10 | 54  | 29             | 67  | 40             | 54  | 175 | 65  | 40,5 | 94  | 220  |
| VKRBM025E | 25 | 20 | 10 | 65  | 35             | 85  | 49             | 65  | 212 | 70  | 54   | 106 | 340  |
| VKRBM032E | 32 | 25 | 10 | 70  | 39             | 85  | 49             | 73  | 226 | 78  | 56   | 117 | 443  |
| VKRBM040E | 40 | 32 | 10 | 83  | 46             | 108 | 64             | 86  | 246 | 88  | 56   | 131 | 593  |
| VKRBM050E | 50 | 40 | 10 | 89  | 52             | 108 | 64             | 98  | 271 | 93  | 60,5 | 145 | 945  |
| VKRBM063E | 63 | 50 | 10 | 108 | 62             | 134 | 76             | 122 | 300 | 111 | 65,5 | 161 | 1607 |

### EPDM

| Codice       | d  | DN | PN | B   | B <sub>1</sub> | C   | C <sub>1</sub> | E   | H   | H   | L    | Z   | g    |
|--------------|----|----|----|-----|----------------|-----|----------------|-----|-----|-----|------|-----|------|
| VKRBM020EOLF | 20 | 15 | 10 | 54  | 29             | 67  | 40             | 54  | 175 | 65  | 40,5 | 94  | 220  |
| VKRBM025EOLF | 25 | 20 | 10 | 65  | 35             | 85  | 49             | 65  | 212 | 70  | 54   | 106 | 340  |
| VKRBM032EOLF | 32 | 25 | 10 | 70  | 39             | 85  | 49             | 73  | 226 | 78  | 56   | 117 | 443  |
| VKRBM040EOLF | 40 | 32 | 10 | 83  | 46             | 108 | 64             | 86  | 246 | 88  | 56   | 131 | 593  |
| VKRBM050EOLF | 50 | 40 | 10 | 89  | 52             | 108 | 64             | 98  | 271 | 93  | 60,5 | 145 | 945  |
| VKRBM063EOLF | 63 | 50 | 10 | 108 | 62             | 134 | 76             | 122 | 300 | 111 | 65,5 | 161 | 1607 |

### EPDM

# VKRBM - Valvola di regolazione a sfera DUAL BLOCK® DN 10:50

| Codice       | d  | DN | PN | B   | B <sub>1</sub> | C   | C <sub>1</sub> | E   | H   | H   | L    | Z   | g    |
|--------------|----|----|----|-----|----------------|-----|----------------|-----|-----|-----|------|-----|------|
| VKRBM020E0SF | 20 | 15 | 10 | 54  | 29             | 67  | 40             | 54  | 175 | 65  | 40,5 | 94  | 220  |
| VKRBM025E0SF | 25 | 20 | 10 | 65  | 35             | 85  | 49             | 65  | 212 | 70  | 54   | 106 | 340  |
| VKRBM032E0SF | 32 | 25 | 10 | 70  | 39             | 85  | 49             | 73  | 226 | 78  | 56   | 117 | 443  |
| VKRBM040E0SF | 40 | 32 | 10 | 83  | 46             | 108 | 64             | 86  | 246 | 88  | 56   | 131 | 593  |
| VKRBM050E0SF | 50 | 40 | 10 | 89  | 52             | 108 | 64             | 98  | 271 | 93  | 60,5 | 145 | 945  |
| VKRBM063E0SF | 63 | 50 | 10 | 108 | 62             | 134 | 76             | 122 | 300 | 111 | 65,5 | 161 | 1607 |

## FKM

| Codice    | d  | DN | PN | B   | B <sub>1</sub> | C   | C <sub>1</sub> | E   | H   | H   | L    | Z   | g    |
|-----------|----|----|----|-----|----------------|-----|----------------|-----|-----|-----|------|-----|------|
| VKRBM020F | 20 | 15 | 10 | 54  | 29             | 67  | 40             | 54  | 175 | 65  | 40,5 | 94  | 220  |
| VKRBM025F | 25 | 20 | 10 | 65  | 35             | 85  | 49             | 65  | 212 | 70  | 54   | 106 | 340  |
| VKRBM032F | 32 | 25 | 10 | 70  | 39             | 85  | 49             | 73  | 226 | 78  | 56   | 117 | 443  |
| VKRBM040F | 40 | 32 | 10 | 83  | 46             | 108 | 64             | 86  | 246 | 88  | 56   | 131 | 593  |
| VKRBM050F | 50 | 40 | 10 | 89  | 52             | 108 | 64             | 98  | 271 | 93  | 60,5 | 145 | 945  |
| VKRBM063F | 63 | 50 | 10 | 108 | 62             | 134 | 76             | 122 | 300 | 111 | 65,5 | 161 | 1607 |

## FKM

| Codice       | d  | DN | PN | B   | B <sub>1</sub> | C   | C <sub>1</sub> | E   | H   | H   | L    | Z   | g    |
|--------------|----|----|----|-----|----------------|-----|----------------|-----|-----|-----|------|-----|------|
| VKRBM020FOLF | 20 | 15 | 10 | 54  | 29             | 67  | 40             | 54  | 175 | 65  | 40,5 | 94  | 220  |
| VKRBM025FOLF | 25 | 20 | 10 | 65  | 35             | 85  | 49             | 65  | 212 | 70  | 54   | 106 | 340  |
| VKRBM032FOLF | 32 | 25 | 10 | 70  | 39             | 85  | 49             | 73  | 226 | 78  | 56   | 117 | 443  |
| VKRBM040FOLF | 40 | 32 | 10 | 83  | 46             | 108 | 64             | 86  | 246 | 88  | 56   | 131 | 593  |
| VKRBM050FOLF | 50 | 40 | 10 | 89  | 52             | 108 | 64             | 98  | 271 | 93  | 60,5 | 145 | 945  |
| VKRBM063FOLF | 63 | 50 | 10 | 108 | 62             | 134 | 76             | 122 | 300 | 111 | 65,5 | 161 | 1607 |

## FKM

| Codice       | d  | DN | PN | B   | B <sub>1</sub> | C   | C <sub>1</sub> | E   | H   | H   | L    | Z   | g    |
|--------------|----|----|----|-----|----------------|-----|----------------|-----|-----|-----|------|-----|------|
| VKRBM020F0SF | 20 | 15 | 10 | 54  | 29             | 67  | 40             | 54  | 175 | 65  | 40,5 | 94  | 220  |
| VKRBM025F0SF | 25 | 20 | 10 | 65  | 35             | 85  | 49             | 65  | 212 | 70  | 54   | 106 | 340  |
| VKRBM032F0SF | 32 | 25 | 10 | 70  | 39             | 85  | 49             | 73  | 226 | 78  | 56   | 117 | 443  |
| VKRBM040F0SF | 40 | 32 | 10 | 83  | 46             | 108 | 64             | 86  | 246 | 88  | 56   | 131 | 593  |
| VKRBM050F0SF | 50 | 40 | 10 | 89  | 52             | 108 | 64             | 98  | 271 | 93  | 60,5 | 145 | 945  |
| VKRBM063F0SF | 63 | 50 | 10 | 108 | 62             | 134 | 76             | 122 | 300 | 111 | 65,5 | 161 | 1607 |