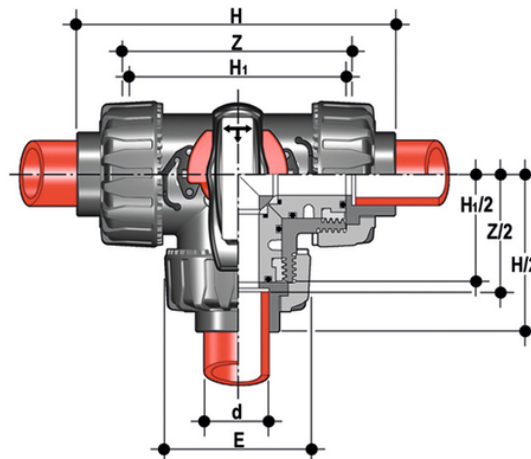


# LKDIM - Valvola a sfera a 3 vie DUAL BLOCK® DN 15:50

Valvola a tre vie DUAL BLOCK® con attacchi femmina per saldatura di tasca, serie metrica sfera a L.



## EPDM

Codice	d	DN	PN	E	H	H	Z	g
LKDIM020E	20	15	10	54	117	80	88	195
LKDIM025E	25	20	10	65	144	100	112	350
LKDIM032E	32	25	10	73	158	110	122	505
LKDIM040E	40	32	10	86	184	131	143	820
LKDIM050E	50	40	10	98	219	148	172	1070
LKDIM063E	63	50	10	122	267	179	212	1795

## EPDM

Codice	d	DN	PN	E	H	H	Z	g
LKDIM020EOLF	20	15	10	54	117	80	88	195
LKDIM025EOLF	25	20	10	65	144	100	112	350
LKDIM032EOLF	32	25	10	73	158	110	122	505
LKDIM040EOLF	40	32	10	86	184	131	143	820
LKDIM050EOLF	50	40	10	98	219	148	172	1070
LKDIM063EOLF	63	50	10	122	267	179	212	1795

## EPDM

# LKDIM - Valvola a sfera a 3 vie DUAL BLOCK® DN 15:50

Codice	d	DN	PN	E	H	H	Z	g
LKDIM020E0SF	20	15	10	54	117	80	88	195
LKDIM025E0SF	25	20	10	65	144	100	112	350
LKDIM032E0SF	32	25	10	73	158	110	122	505
LKDIM040E0SF	40	32	10	86	184	131	143	820
LKDIM050E0SF	50	40	10	98	219	148	172	1070
LKDIM063E0SF	63	50	10	122	267	179	212	1795

## FKM

Codice	d	DN	PN	E	H	H	Z	g
LKDIM020F	20	15	10	54	117	80	88	195
LKDIM025F	25	20	10	65	144	100	112	350
LKDIM032F	32	25	10	73	158	110	122	505
LKDIM040F	40	32	10	86	184	131	143	820
LKDIM050F	50	40	10	98	219	148	172	1070
LKDIM063F	63	50	10	122	267	179	212	1795

## FKM

Codice	d	DN	PN	E	H	H	Z	g
LKDIM020FOLF	20	15	10	54	117	80	88	195
LKDIM025FOLF	25	20	10	65	144	100	112	350
LKDIM032FOLF	32	25	10	73	158	110	122	505
LKDIM040FOLF	40	32	10	86	184	131	143	820
LKDIM050FOLF	50	40	10	98	219	148	172	1070
LKDIM063FOLF	63	50	10	122	267	179	212	1795

## FKM

Codice	d	DN	PN	E	H	H	Z	g
LKDIM020FOSF	20	15	10	54	117	80	88	195
LKDIM025FOSF	25	20	10	65	144	100	112	350
LKDIM032FOSF	32	25	10	73	158	110	122	505
LKDIM040FOSF	40	32	10	86	184	131	143	820
LKDIM050FOSF	50	40	10	98	219	148	172	1070
LKDIM063FOSF	63	50	10	122	267	179	212	1795