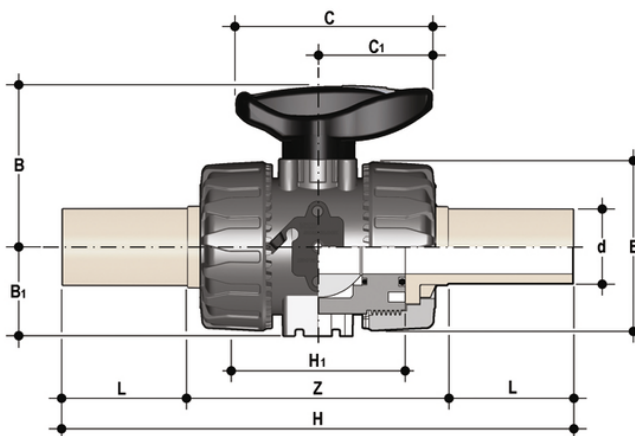


# VKDBF - Valvola a sfera a 2 vie DUAL BLOCK® DN 10:50

Valvola a sfera a due vie DUAL BLOCK® con attacchi maschio in PVDF a codolo lungo per saldatura di testa/IR (CVDF).



### FKM

Codice	d	DN	PN	B	B <sub>1</sub>	C	C <sub>1</sub>	E	H	H	L	Z	g
VKDBF020F	20	15	16	54	29	67	40	54	175	65	40,5	94	450
VKDBF025F	25	20	16	65	35	85	49	65	212	70	54	106	516
VKDBF032F	32	25	16	70	39	85	49	73	226	78	56	117	664
VKDBF040F	40	32	16	83	46	108	64	86	246	88	56	131	1020
VKDBF050F	50	40	16	89	52	108	64	98	271	93	60,5	145	1350
VKDBF063F	63	50	16	108	62	134	76	122	300	111	65,5	161	2330

### FKM

Codice	d	DN	PN	B	B <sub>1</sub>	C	C <sub>1</sub>	E	H	H	L	Z	g
VKDBF020FOLF	20	15	16	54	29	67	40	54	175	65	40,5	94	450
VKDBF025FOLF	25	20	16	65	35	85	49	65	212	70	54	106	516
VKDBF032FOLF	32	25	16	70	39	85	49	73	226	78	56	117	664
VKDBF040FOLF	40	32	16	83	46	108	64	86	246	88	56	131	1020
VKDBF050FOLF	50	40	16	89	52	108	64	98	271	93	60,5	145	1350
VKDBF063FOLF	63	50	16	108	62	134	76	122	300	111	65,5	161	2330

### FKM

# VKDBF - Valvola a sfera a 2 vie DUAL BLOCK® DN 10:50

Codice	d	DN	PN	B	B <sub>1</sub>	C	C <sub>1</sub>	E	H	H	L	Z	g
VKDBF020FOSF	20	15	16	54	29	67	40	54	175	65	40,5	94	450
VKDBF025FOSF	25	20	16	65	35	85	49	65	212	70	54	106	516
VKDBF032FOSF	32	25	16	70	39	85	49	73	226	78	56	117	664
VKDBF040FOSF	40	32	16	83	46	108	64	86	246	88	56	131	1020
VKDBF050FOSF	50	40	16	89	52	108	64	98	271	93	60,5	145	1350
VKDBF063FOSF	63	50	16	108	62	134	76	122	300	111	65,5	161	2330