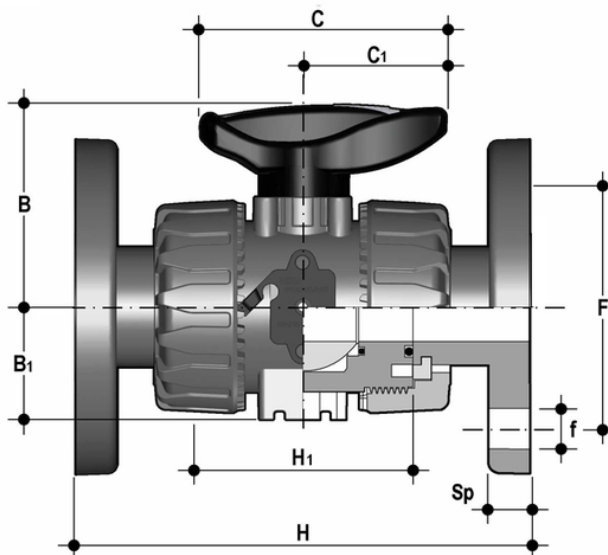
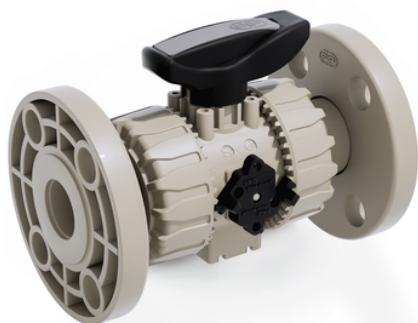


# VKDOM - Valvola a sfera a 2 vie DUAL BLOCK® DN 10:50

Valvola a sfera a due vie DUAL BLOCK® con flange libere EN/ISO/DIN PN 10/16, scartamento secondo EN 558-1.



## EPDM

Codice	d	DN	PN	B	B <sub>1</sub>	C	C <sub>1</sub>	F	f	H	H <sub>1</sub>	Sp	U	g
VKDOM020E	20	15	10	54	29	67	40	65	14	130	65	11	4	387
VKDOM025E	25	20	10	65	34,5	85	49	75	14	150	70	14	4	504
VKDOM032E	32	25	10	69,5	39	85	49	85	14	160	78	14	4	697
VKDOM040E	40	32	10	82,5	46	108	64	100	18	180	88	14	4	1075
VKDOM050E	50	40	10	89	52	108	64	110	18	200	93	16	4	1346
VKDOM063E	63	50	10	108	62	134	76	125	18	230	111	16	4	2060

## FKM

Codice	d	DN	PN	B	B <sub>1</sub>	C	C <sub>1</sub>	F	f	H	H <sub>1</sub>	Sp	U	g
VKDOM020F	20	15	10	54	29	67	40	65	14	130	65	11	4	387
VKDOM025F	25	20	10	65	34,5	85	49	75	14	150	70	14	4	504
VKDOM032F	32	25	10	69,5	39	85	49	85	14	160	78	14	4	697
VKDOM040F	40	32	10	82,5	46	108	64	100	18	180	88	14	4	1075
VKDOM050F	50	40	10	89	52	108	64	110	18	200	93	16	4	1346
VKDOM063F	63	50	10	108	62	134	76	125	18	230	111	16	4	2060