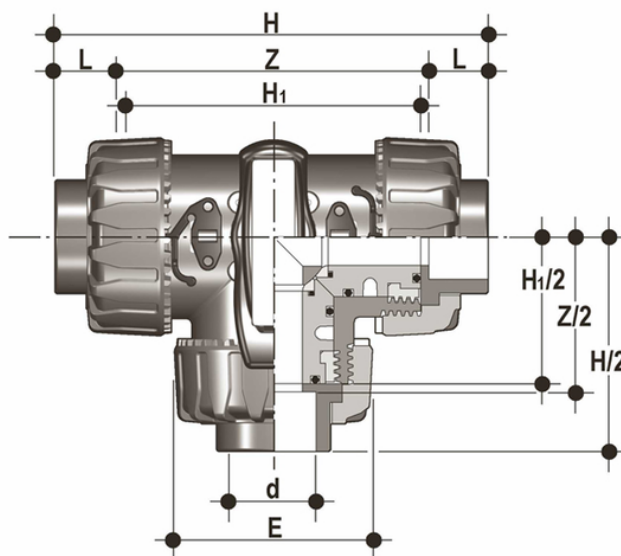


TKDIV - Valvola a sfera a 3 vie DUAL BLOCK® DN 10:50

Valvola a tre vie DUAL BLOCK® con attacchi femmina metrici sfera a T.



EPDM

Codice	d	DN	PN	E	H	H	L	Z	g
TKDIV016E	16	10	16	54	118	80	14	90	310
TKDIV020E	20	15	16	54	118	80	16	86	310
TKDIV025E	25	20	16	65	145	100	19	107	550
TKDIV032E	32	25	16	73	160	110	22	116	790
TKDIV040E	40	32	16	86	188.5	131	26	136.5	1275
TKDIV050E	50	40	16	98	219	148	31	157	1660
TKDIV063E	63	50	16	122	266.5	179	38	190.5	2800

EPDM

Codice	d	DN	PN	E	H	H	L	Z	g
TKDIV016EOLF	16	10	16	54	118	80	14	90	310
TKDIV020EOLF	20	15	16	54	118	80	16	86	310
TKDIV025EOLF	25	20	16	65	145	100	19	107	550
TKDIV032EOLF	32	25	16	73	160	110	22	116	790
TKDIV040EOLF	40	32	16	86	188.5	131	26	136.5	1275
TKDIV050EOLF	50	40	16	98	219	148	31	157	1660
TKDIV063EOLF	63	50	16	122	266.5	179	38	190.5	2800

TKDIV - Valvola a sfera a 3 vie DUAL BLOCK® DN 10:50

EPDM

Codice	d	DN	PN	E	H	H	L	Z	g
TKDIV016E0SF	16	10	16	54	118	80	14	90	310
TKDIV020E0SF	20	15	16	54	118	80	16	86	310
TKDIV025E0SF	25	20	16	65	145	100	19	107	550
TKDIV032E0SF	32	25	16	73	160	110	22	116	790
TKDIV040E0SF	40	32	16	86	188.5	131	26	136.5	1275
TKDIV050E0SF	50	40	16	98	219	148	31	157	1660
TKDIV063E0SF	63	50	16	122	266.5	179	38	190.5	2800

FKM

Codice	d	DN	PN	E	H	H	L	Z	g
TKDIV016F	16	10	16	54	118	80	14	90	310
TKDIV020F	20	15	16	54	118	80	16	86	310
TKDIV025F	25	20	16	65	145	100	19	107	550
TKDIV032F	32	25	16	73	160	110	22	116	790
TKDIV040F	40	32	16	86	188.5	131	26	136.5	1275
TKDIV050F	50	40	16	98	219	148	31	157	1660
TKDIV063F	63	50	16	122	266.5	179	38	190.5	2800

FKM

Codice	d	DN	PN	E	H	H	L	Z	g
TKDIV016FOLF	16	10	16	54	118	80	14	90	310
TKDIV020FOLF	20	15	16	54	118	80	16	86	310
TKDIV025FOLF	25	20	16	65	145	100	19	107	550
TKDIV032FOLF	32	25	16	73	160	110	22	116	790
TKDIV040FOLF	40	32	16	86	188.5	131	26	136.5	1275
TKDIV050FOLF	50	40	16	98	219	148	31	157	1660
TKDIV063FOLF	63	50	16	122	266.5	179	38	190.5	2800

FKM

Codice	d	DN	PN	E	H	H	L	Z	g
TKDIV016FOSF	16	10	16	54	118	80	14	90	310
TKDIV020FOSF	20	15	16	54	118	80	16	86	310
TKDIV025FOSF	25	20	16	65	145	100	19	107	550
TKDIV032FOSF	32	25	16	73	160	110	22	116	790



TKDIV - Valvola a sfera a 3 vie DUAL BLOCK® DN 10:50

Codice	d	DN	PN	E	H	H	L	Z	g
TKDIV040F0SF	40	32	16	86	188.5	131	26	136.5	1275
TKDIV050F0SF	50	40	16	98	219	148	31	157	1660
TKDIV063F0SF	63	50	16	122	266.5	179	38	190.5	2800