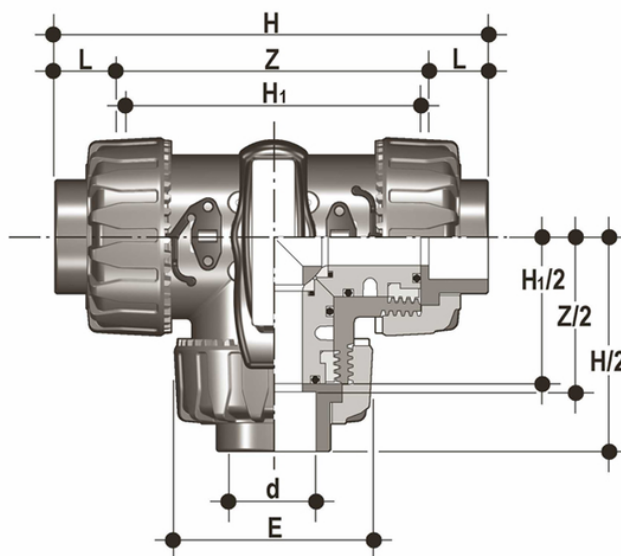


TKDIC - Valvola a sfera a 3 vie DUAL BLOCK® DN 10:50

Valvola a tre vie DUAL BLOCK® con attacchi femmina per incollaggio, serie metrica sfera a T.



EPDM

Codice	d	DN	PN	E	H	H	L	Z	g
TKDIC016E	16	10	16	54	118	80	14	90	310
TKDIC020E	20	15	16	54	118	80	16	86	310
TKDIC025E	25	20	16	65	145	100	19	107	550
TKDIC032E	32	25	16	73	160	110	22	116	790
TKDIC040E	40	32	16	86	188.5	131	26	136.5	1275
TKDIC050E	50	40	16	98	219	148	31	157	1660
TKDIC063E	63	50	16	122	266.5	179	38	190.5	2800

EPDM

Codice	d	DN	PN	E	H	H	L	Z	g
TKDIC016EOLF	16	10	16	54	118	80	14	90	310
TKDIC020EOLF	20	15	16	54	118	80	16	86	310
TKDIC025EOLF	25	20	16	65	145	100	19	107	550
TKDIC032EOLF	32	25	16	73	160	110	22	116	790
TKDIC040EOLF	40	32	16	86	188.5	131	26	136.5	1275
TKDIC050EOLF	50	40	16	98	219	148	31	157	1660
TKDIC063EOLF	63	50	16	122	266.5	179	38	190.5	2800

TKDIC - Valvola a sfera a 3 vie DUAL BLOCK® DN 10:50

EPDM

Codice	d	DN	PN	E	H	H	L	Z	g
TKDIC016E0SF	16	10	16	54	118	80	14	90	310
TKDIC020E0SF	20	15	16	54	118	80	16	86	310
TKDIC025E0SF	25	20	16	65	145	100	19	107	550
TKDIC032E0SF	32	25	16	73	160	110	22	116	790
TKDIC040E0SF	40	32	16	86	188.5	131	26	136.5	1275
TKDIC050E0SF	50	40	16	98	219	148	31	157	1660
TKDIC063E0SF	63	50	16	122	266.5	179	38	190.5	2800

FKM

Codice	d	DN	PN	E	H	H	L	Z	g
TKDIC016F	16	10	16	54	118	80	14	90	310
TKDIC020F	20	15	16	54	118	80	16	86	310
TKDIC025F	25	20	16	65	145	100	19	107	550
TKDIC032F	32	25	16	73	160	110	22	116	790
TKDIC040F	40	32	16	86	188.5	131	26	136.5	1275
TKDIC050F	50	40	16	98	219	148	31	157	1660
TKDIC063F	63	50	16	122	266.5	179	38	190.5	2800

FKM

Codice	d	DN	PN	E	H	H	L	Z	g
TKDIC016FOLF	16	10	16	54	118	80	14	90	310
TKDIC020FOLF	20	15	16	54	118	80	16	86	310
TKDIC025FOLF	25	20	16	65	145	100	19	107	550
TKDIC032FOLF	32	25	16	73	160	110	22	116	790
TKDIC040FOLF	40	32	16	86	188.5	131	26	136.5	1275
TKDIC050FOLF	50	40	16	98	219	148	31	157	1660
TKDIC063FOLF	63	50	16	122	266.5	179	38	190.5	2800

FKM

Codice	d	DN	PN	E	H	H	L	Z	g
TKDIC016F0SF	16	10	16	54	118	80	14	90	310
TKDIC020F0SF	20	15	16	54	118	80	16	86	310
TKDIC025F0SF	25	20	16	65	145	100	19	107	550
TKDIC032F0SF	32	25	16	73	160	110	22	116	790



TKDIC - Valvola a sfera a 3 vie DUAL BLOCK® DN 10:50

Codice	d	DN	PN	E	H	H	L	Z	g
TKDIC040F0SF	40	32	16	86	188.5	131	26	136.5	1275
TKDIC050F0SF	50	40	16	98	219	148	31	157	1660
TKDIC063F0SF	63	50	16	122	266.5	179	38	190.5	2800