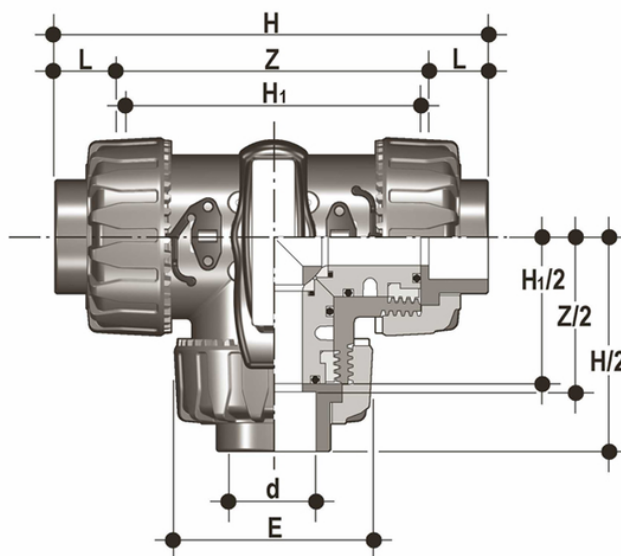


LKDIC - Valvola a sfera a 3 vie DUAL BLOCK® DN 10:50

Valvola a tre vie DUAL BLOCK® con attacchi femmina per incollaggio, serie metrica sfera a L.



EPDM

| Codice | d | DN | PN | E | H | H | L | Z | g |
|-----------|----|----|----|-----|-------|-----|----|-------|------|
| LKDIC016E | 16 | 10 | 16 | 54 | 118 | 80 | 14 | 90 | 310 |
| LKDIC020E | 20 | 15 | 16 | 54 | 118 | 80 | 16 | 86 | 310 |
| LKDIC025E | 25 | 20 | 16 | 65 | 145 | 100 | 19 | 107 | 550 |
| LKDIC032E | 32 | 25 | 16 | 73 | 160 | 110 | 22 | 116 | 790 |
| LKDIC040E | 40 | 32 | 16 | 86 | 188.5 | 131 | 26 | 136.5 | 1275 |
| LKDIC050E | 50 | 40 | 16 | 98 | 219 | 148 | 31 | 157 | 1660 |
| LKDIC063E | 63 | 50 | 16 | 122 | 266.5 | 179 | 38 | 190.5 | 2800 |

EPDM

| Codice | d | DN | PN | E | H | H | L | Z | g |
|--------------|----|----|----|-----|-------|-----|----|-------|------|
| LKDIC016EOLF | 16 | 10 | 16 | 54 | 118 | 80 | 14 | 90 | 310 |
| LKDIC020EOLF | 20 | 15 | 16 | 54 | 118 | 80 | 16 | 86 | 310 |
| LKDIC025EOLF | 25 | 20 | 16 | 65 | 145 | 100 | 19 | 107 | 550 |
| LKDIC032EOLF | 32 | 25 | 16 | 73 | 160 | 110 | 22 | 116 | 790 |
| LKDIC040EOLF | 40 | 32 | 16 | 86 | 188.5 | 131 | 26 | 136.5 | 1275 |
| LKDIC050EOLF | 50 | 40 | 16 | 98 | 219 | 148 | 31 | 157 | 1660 |
| LKDIC063EOLF | 63 | 50 | 16 | 122 | 266.5 | 179 | 38 | 190.5 | 2800 |

LKDIC - Valvola a sfera a 3 vie DUAL BLOCK® DN 10:50

EPDM

| Codice | d | DN | PN | E | H | H | L | Z | g |
|--------------|----|----|----|-----|-------|-----|----|-------|------|
| LKDIC016E0SF | 16 | 10 | 16 | 54 | 118 | 80 | 14 | 90 | 310 |
| LKDIC020E0SF | 20 | 15 | 16 | 54 | 118 | 80 | 16 | 86 | 310 |
| LKDIC025E0SF | 25 | 20 | 16 | 65 | 145 | 100 | 19 | 107 | 550 |
| LKDIC032E0SF | 32 | 25 | 16 | 73 | 160 | 110 | 22 | 116 | 790 |
| LKDIC040E0SF | 40 | 32 | 16 | 86 | 188.5 | 131 | 26 | 136.5 | 1275 |
| LKDIC050E0SF | 50 | 40 | 16 | 98 | 219 | 148 | 31 | 157 | 1660 |
| LKDIC063E0SF | 63 | 50 | 16 | 122 | 266.5 | 179 | 38 | 190.5 | 2800 |

FKM

| Codice | d | DN | PN | E | H | H | L | Z | g |
|-----------|----|----|----|-----|-------|-----|----|-------|------|
| LKDIC016F | 16 | 10 | 16 | 54 | 118 | 80 | 14 | 90 | 310 |
| LKDIC020F | 20 | 15 | 16 | 54 | 118 | 80 | 16 | 86 | 310 |
| LKDIC025F | 25 | 20 | 16 | 65 | 145 | 100 | 19 | 107 | 550 |
| LKDIC032F | 32 | 25 | 16 | 73 | 160 | 110 | 22 | 116 | 790 |
| LKDIC040F | 40 | 32 | 16 | 86 | 188.5 | 131 | 26 | 136.5 | 1275 |
| LKDIC050F | 50 | 40 | 16 | 98 | 219 | 148 | 31 | 157 | 1660 |
| LKDIC063F | 63 | 50 | 16 | 122 | 266.5 | 179 | 38 | 190.5 | 2800 |

FKM

| Codice | d | DN | PN | E | H | H | L | Z | g |
|--------------|----|----|----|-----|-------|-----|----|-------|------|
| LKDIC016FOLF | 16 | 10 | 16 | 54 | 118 | 80 | 14 | 90 | 310 |
| LKDIC020FOLF | 20 | 15 | 16 | 54 | 118 | 80 | 16 | 86 | 310 |
| LKDIC025FOLF | 25 | 20 | 16 | 65 | 145 | 100 | 19 | 107 | 550 |
| LKDIC032FOLF | 32 | 25 | 16 | 73 | 160 | 110 | 22 | 116 | 790 |
| LKDIC040FOLF | 40 | 32 | 16 | 86 | 188.5 | 131 | 26 | 136.5 | 1275 |
| LKDIC050FOLF | 50 | 40 | 16 | 98 | 219 | 148 | 31 | 157 | 1660 |
| LKDIC063FOLF | 63 | 50 | 16 | 122 | 266.5 | 179 | 38 | 190.5 | 2800 |

FKM

| Codice | d | DN | PN | E | H | H | L | Z | g |
|--------------|----|----|----|----|-----|-----|----|-----|-----|
| LKDIC016F0SF | 16 | 10 | 16 | 54 | 118 | 80 | 14 | 90 | 310 |
| LKDIC020F0SF | 20 | 15 | 16 | 54 | 118 | 80 | 16 | 86 | 310 |
| LKDIC025F0SF | 25 | 20 | 16 | 65 | 145 | 100 | 19 | 107 | 550 |
| LKDIC032F0SF | 32 | 25 | 16 | 73 | 160 | 110 | 22 | 116 | 790 |



LKDIC - Valvola a sfera a 3 vie DUAL BLOCK® DN 10:50

| Codice | d | DN | PN | E | H | H | L | Z | g |
|--------------|----|----|----|-----|-------|-----|----|-------|------|
| LKDIC040F0SF | 40 | 32 | 16 | 86 | 188.5 | 131 | 26 | 136.5 | 1275 |
| LKDIC050F0SF | 50 | 40 | 16 | 98 | 219 | 148 | 31 | 157 | 1660 |
| LKDIC063F0SF | 63 | 50 | 16 | 122 | 266.5 | 179 | 38 | 190.5 | 2800 |