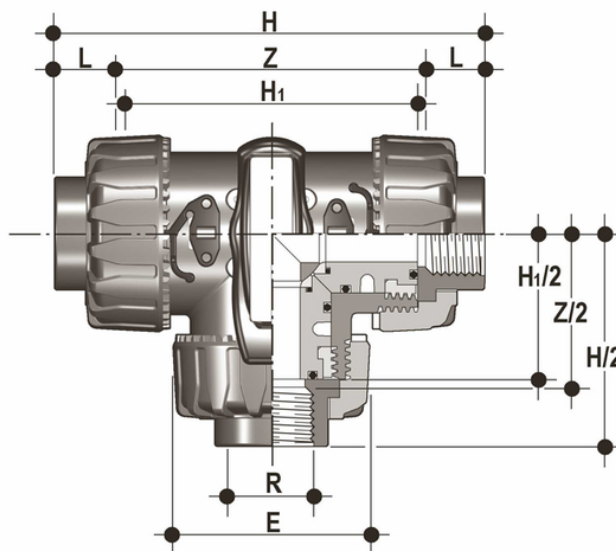


TKDNC - Valvola a sfera a 3 vie DUAL BLOCK® DN 10:50

Valvola a tre vie DUAL BLOCK® con attacchi femmina filettatura NPT, sfera a T.



EPDM

Codice	R	DN	PN	E	H	H	L	Z	g
TKDNC012E	1/2"	15	16	54	126	80	18	90.4	310
TKDNC034E	3/4"	20	16	65	146.4	100	18	110.4	550
TKDNC100E	1"	25	16	73	166.6	110	22.6	121.4	790
TKDNC114E	1" 1/4	32	16	86	195.8	131	25.1	145.6	1275
TKDNC112E	1" 1/2	40	16	98	211.4	148	24.7	162	1660
TKDNC200E	2"	50	16	122	253.8	179	29.6	194.6	2800

FKM

Codice	R	DN	PN	E	H	H	L	Z	g
TKDNC012F	1/2"	15	16	54	126	80	18	90.4	310
TKDNC034F	3/4"	20	16	65	146.4	100	18	110.4	550
TKDNC100F	1"	25	16	73	166.6	110	22.6	121.4	790
TKDNC114F	1" 1/4	32	16	86	195.8	131	25.1	145.6	1275
TKDNC112F	1" 1/2	40	16	98	211.4	148	24.7	162	1660
TKDNC200F	2"	50	16	122	253.8	179	29.6	194.6	2800