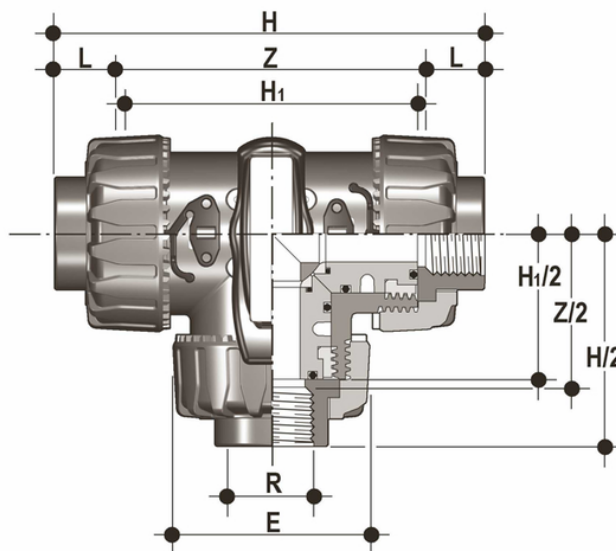


TKDNV - Valvola a sfera a 3 vie DUAL BLOCK® DN 10:50

Valvola a sfera a tre vie DUAL BLOCK® con attacchi femmina, filettatura NPT, sfera a T.



EPDM

Codice	R	DN	PN	E	H	H	L	Z	g
TKDNV038E	3/8"	10	16	54	118	80	13.7	90.6	310
TKDNV012E	1/2"	15	16	54	126	80	18	90.4	310
TKDNV034E	3/4"	20	16	65	146.4	100	18	110.4	550
TKDNV100E	1"	25	16	73	166.6	110	22.6	121.4	790
TKDNV114E	1" 1/4	32	16	86	195.8	131	25.1	145.6	1275
TKDNV112E	1" 1/2	40	16	98	211.4	148	24.7	162	1660
TKDNV200E	2"	50	16	122	253.8	179	29.6	194.6	2800

FKM

Codice	R	DN	PN	E	H	H	L	Z	g
TKDNV038F	3/8"	10	16	54	118	80	13.7	90.6	310
TKDNV012F	1/2"	15	16	54	126	80	18	90.4	310
TKDNV034F	3/4"	20	16	65	146.4	100	18	110.4	550
TKDNV100F	1"	25	16	73	166.6	110	22.6	121.4	790
TKDNV114F	1" 1/4	32	16	86	195.8	131	25.1	145.6	1275
TKDNV112F	1" 1/2	40	16	98	211.4	148	24.7	162	1660
TKDNV200F	2"	50	16	122	253.8	179	29.6	194.6	2800