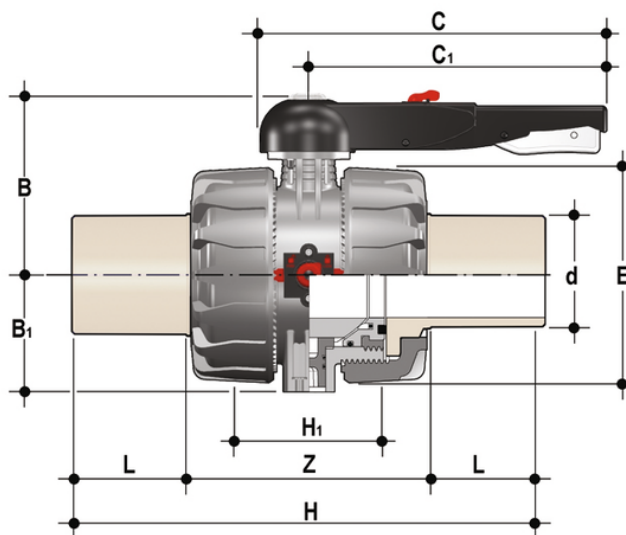


# VKDBM - Valvola a sfera a 2 vie DUAL BLOCK® DN 65:100

Valvola a sfera a due vie DUAL BLOCK® con attacchi maschio in PP-H SDR 11 a codolo lungo per saldatura di testa o elettrofusione (CVDM).



## EPDM

Codice	d	DN	PN	B	B <sub>1</sub>	C	C <sub>1</sub>	E	H	H	L	Z	g
VKDBM090E	90	80	10	177	105	327	272	202	390	149	88	214	5240
VKDBM110E	110	100	10	195	129	385	330	236	431	167	92	247	7970
VKDBM075E	75	65	10	164	87	225	175	162	356	133	71	214	3150

## EPDM

Codice	d	DN	PN	B	B <sub>1</sub>	C	C <sub>1</sub>	E	H	H	L	Z	g
VKDBM075E0SF	75	65	10	164	87	225	175	162	356	133	71	214	3150
VKDBM090E0SF	90	80	10	177	105	327	272	202	390	149	88	214	5240
VKDBM110E0SF	110	100	10	195	129	385	330	236	431	167	92	247	7970

## FKM

Codice	d	DN	PN	B	B <sub>1</sub>	C	C <sub>1</sub>	E	H	H	L	Z	g
VKDBM075F	75	65	10	164	87	225	175	162	356	133	71	214	3150
VKDBM090F	90	80	10	177	105	327	272	202	390	149	88	214	5240
VKDBM110F	110	100	10	195	129	385	330	236	431	167	92	247	7970

# VKDBM - Valvola a sfera a 2 vie DUAL BLOCK® DN 65:100

## FKM

Codice	d	DN	PN	B	B <sub>1</sub>	C	C <sub>1</sub>	E	H	H	L	Z	g
VKDBM075F0SF	75	65	10	164	87	225	175	162	356	133	71	214	3150
VKDBM090F0SF	90	80	10	177	105	327	272	202	390	149	88	214	5240
VKDBM110F0SF	110	100	10	195	129	385	330	236	431	167	92	247	7970