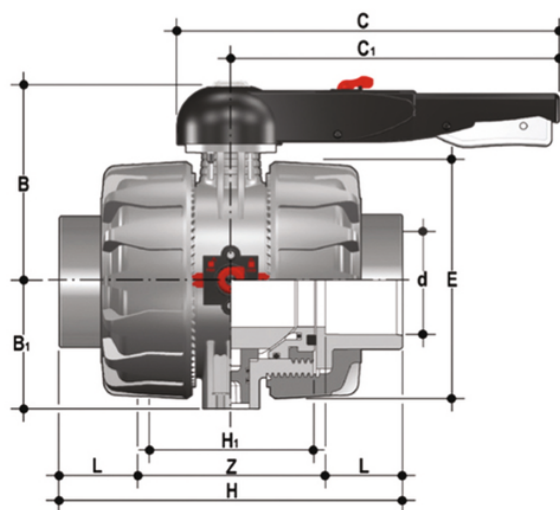


# VKDIV - Valvola a sfera a 2 vie DUAL BLOCK® DN 65:100

Valvola a sfera a due vie DUAL BLOCK® con attacchi femmina, serie metrica.



## EPDM

Codice	d	DN	PN	B	B <sub>1</sub>	C	C <sub>1</sub>	E	H	H	L	Z	g
VKDIV075E	75	65	16	164	87	225	175	164	235	133	44	147	4380
VKDIV090E	90	80	16	177	105	327	272	203	270	149	51	168	7200
VKDIV110E	110	100	16	195	129	385	330	238	308	167	61	186	11141

## EPDM SF

Codice	d	DN	PN	B	B <sub>1</sub>	C	C <sub>1</sub>	E	H	H	L	Z	g
VKDIV075E0SF	75	65	16	164	87	225	175	164	235	133	44	147	4380
VKDIV090E0SF	90	80	16	177	105	327	272	203	270	149	51	168	7200
VKDIV110E0SF	110	100	16	195	129	385	330	238	308	167	61	186	11141

## FKM

Codice	d	DN	PN	B	B <sub>1</sub>	C	C <sub>1</sub>	E	H	H	L	Z	g
VKDIV075F	75	65	16	164	87	225	175	164	235	133	44	147	4380
VKDIV090F	90	80	16	177	105	327	272	203	270	149	51	168	7200
VKDIV110F	110	100	16	195	129	385	330	238	308	167	61	186	11141



# VKDIV - Valvola a sfera a 2 vie DUAL BLOCK® DN 65:100

## FKM SF

Codice	d	DN	PN	B	B <sub>1</sub>	C	C <sub>1</sub>	E	H	H	L	Z	g
VKDIV075F0SF	75	65	16	164	87	225	175	164	235	133	44	147	4380
VKDIV090F0SF	90	80	16	177	105	327	272	203	270	149	51	168	7200
VKDIV110F0SF	110	100	16	195	129	385	330	238	308	167	61	186	11141