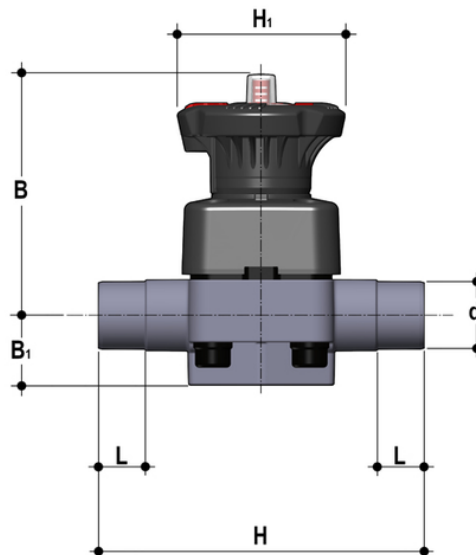


# DKDF - Valvola a membrana a 2 vie DIALOCK® DN 15:65

Valvola a membrana DIALOCK® con attacchi maschio per saldatura di tasca, serie metrica.



## EPDM

Codice	d	DN	PN	B	B <sub>1</sub>	H	H	L	g
DKDF020E	20	15	10	102	25	124	80	16	497
DKDF025E	25	20	10	105	30	144	80	19	527
DKDF032E	32	25	10	114	33	154	80	22	756
DKDF040E	40	32	10	119	30	174	80	26	817
DKDF050E	50	40	10	149	35	194	120	31	1700
DKDF063E	63	50	10	172	46	224	120	38	2693
DKDF075E	75	65	10	172	46	284	120	44	2871

## EPDM

Codice	d	DN	PN	B	B <sub>1</sub>	H	H	L	g
DKDF020E0SF	20	15	10	102	25	124	80	16	497
DKDF025E0SF	25	20	10	105	30	144	80	19	527
DKDF032E0SF	32	25	10	114	33	154	80	22	756
DKDF040E0SF	40	32	10	119	30	174	80	26	817
DKDF050E0SF	50	40	10	149	35	194	120	31	1700
DKDF063E0SF	63	50	10	172	46	224	120	38	2693
DKDF075E0SF	75	65	10	172	46	284	120	44	2871

# DKDF - Valvola a membrana a 2 vie DIALOCK® DN 15:65

## FKM

Codice	d	DN	PN	B	B <sub>1</sub>	H	H	L	g
DKDF020F	20	15	10	102	25	124	80	16	497
DKDF025F	25	20	10	105	30	144	80	19	527
DKDF032F	32	25	10	114	33	154	80	22	756
DKDF040F	40	32	10	119	30	174	80	26	817
DKDF050F	50	40	10	149	35	194	120	31	1700
DKDF063F	63	50	10	172	46	224	120	38	2693
DKDF075F	75	65	10	172	46	284	120	44	2871

## PTFE

Codice	d	DN	PN	B	B <sub>1</sub>	H	H	L	g
DKDF020P	20	15	10	102	25	124	80	16	497
DKDF025P	25	20	10	105	30	144	80	19	527
DKDF032P	32	25	10	114	33	154	80	22	756
DKDF040P	40	32	10	119	30	174	80	26	817
DKDF050P	50	40	10	149	35	194	120	31	1700
DKDF063P	63	50	10	172	46	224	120	38	2693
DKDF075P	75	65	10	172	46	284	120	44	2871

## PTFE

Codice	d	DN	PN	B	B <sub>1</sub>	H	H	L	g
DKDF020POSF	20	15	10	102	25	124	80	16	497
DKDF025POSF	25	20	10	105	30	144	80	19	527
DKDF032POSF	32	25	10	114	33	154	80	22	756
DKDF040POSF	40	32	10	119	30	174	80	26	817
DKDF050POSF	50	40	10	149	35	194	120	31	1700
DKDF063POSF	63	50	10	172	46	224	120	38	2693
DKDF075POSF	75	65	10	172	46	284	120	44	2871