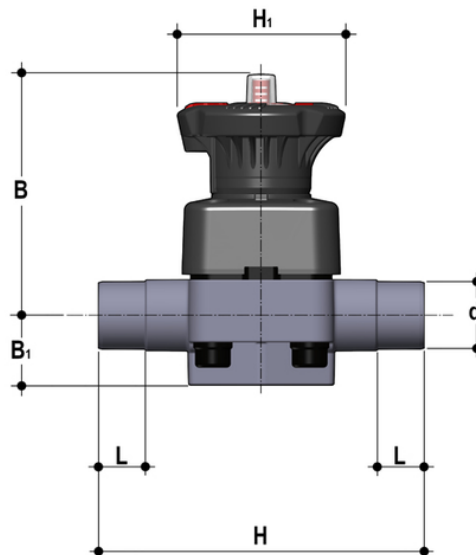


# DKDM - Valvola a membrana a 2 vie DIALOCK® DN 15÷65

Valvola a membrana DIALOCK® con attacchi maschio per saldatura di tasca, serie metrica.



## EPDM

Codice	d	DN	PN	B	B <sub>1</sub>	H	H	L	g
DKDM020E	20	15	10	102	25	124	80	16	430
DKDM025E	25	20	10	105	30	144	80	19	445
DKDM032E	32	25	10	114	33	154	80	22	620
DKDM040E	40	32	10	119	30	174	80	26	650
DKDM050E	50	40	10	149	35	194	120	31	1380
DKDM063E	63	50	10	172	46	224	120	38	2136
DKDM075E	75	65	10	172	46	284	120	44	2225

## FKM

Codice	d	DN	PN	B	B <sub>1</sub>	H	H	L	g
DKDM020F	20	15	10	102	25	124	80	16	430
DKDM025F	25	20	10	105	30	144	80	19	445
DKDM032F	32	25	10	114	33	154	80	22	620
DKDM040F	40	32	10	119	30	174	80	26	650
DKDM050F	50	40	10	149	35	194	120	31	1380
DKDM063F	63	50	10	172	46	224	120	38	2136
DKDM075F	75	65	10	172	46	284	120	44	2225

# DKDM - Valvola a membrana a 2 vie DIALOCK® DN 15÷65

## PTFE

Codice	d	DN	PN	B	B <sub>1</sub>	H	H	L	g
DKDM020P	20	15	10	102	25	124	80	16	430
DKDM025P	25	20	10	105	30	144	80	19	445
DKDM032P	32	25	10	114	33	154	80	22	620
DKDM040P	40	32	10	119	30	174	80	26	650
DKDM050P	50	40	10	149	35	194	120	31	1380
DKDM063P	63	50	10	172	46	224	120	38	2136
DKDM075P	75	65	10	172	46	284	120	44	2225