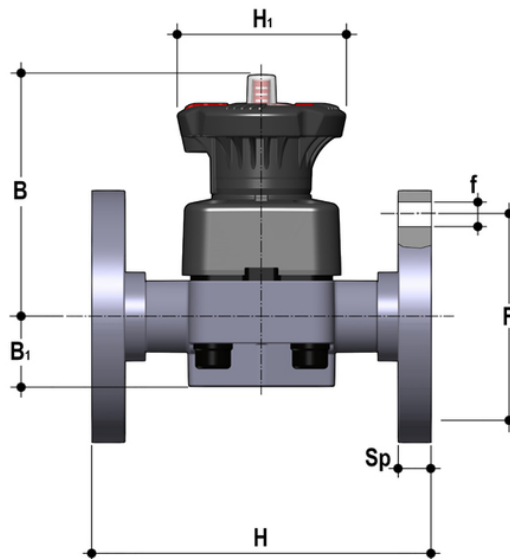


DKOF - Valvola a membrana a 2 vie DIALOCK® DN 15:65

Valvola a membrana DIALOCK® con corpo flangiato monolitico foratura PN10/16. Scartamento secondo EN 558-1.



EPDM

Codice	d	DN	PN	B	B ₁	F	Øf	H	H	U	Sp	g
DKOF020E	20	15	10	102	25	65	14	130	80	4	13.5	1011
DKOF025E	25	20	10	105	30	75	14	150	80	4	13.5	1102
DKOF032E	32	25	10	114	33	85	14	160	80	4	13.5	1212
DKOF040E	40	32	10	119	30	100	18	180	80	4	14	1486
DKOF050E	50	40	10	149	35	110	18	200	120	4	16	2479
DKOF063E	63	50	10	172	46	125	18	230	120	4	16	3454
DKOF075E	75	65	10	172	46	145	18	290	120	4	21	4223

FKM

Codice	d	DN	PN	B	B ₁	F	Øf	H	H	U	Sp	g
DKOF020F	20	15	10	102	25	65	14	130	80	4	13.5	1011
DKOF025F	25	20	10	105	30	75	14	150	80	4	13.5	1102
DKOF032F	32	25	10	114	33	85	14	160	80	4	13.5	1212
DKOF040F	40	32	10	119	30	100	18	180	80	4	14	1486
DKOF050F	50	40	10	149	35	110	18	200	120	4	16	2479
DKOF063F	63	50	10	172	46	125	18	230	120	4	16	3454
DKOF075F	75	65	10	172	46	145	18	290	120	4	21	4223

DKOF – Valvola a membrana a 2 vie DIALOCK® DN 15:65

PTFE

Codice	d	DN	PN	B	B ₁	F	Øf	H	H	U	Sp	g
DKOF020P	20	15	10	102	25	65	14	130	80	4	13.5	1011
DKOF025P	25	20	10	105	30	75	14	150	80	4	13.5	1102
DKOF032P	32	25	10	114	33	85	14	160	80	4	13.5	1212
DKOF040P	40	32	10	119	30	100	18	180	80	4	14	1486
DKOF050P	50	40	10	149	35	110	18	200	120	4	16	2479
DKOF063P	63	50	10	172	46	125	18	230	120	4	16	3454
DKOF075P	75	65	10	172	46	145	18	290	120	4	21	4223