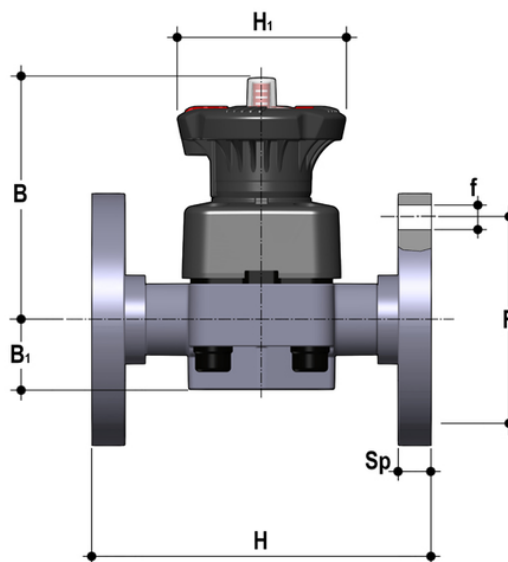


# DKOAF - Valvola a membrana a 2 vie DIALOCK® DN 15:65

Valvola a membrana DIALOCK® con corpo flangiato monolitico foratura ANSI B16.5 cl. 150 #FF.



## EPDM

Codice	d	DN	PN	B	B <sub>1</sub>	F	Øf	H	H	U	Sp	g
DKOAF012E	1/2"	15	10	102	25	60.3	14	108	80	4	13.5	1011
DKOAF034E	3/4"	20	10	105	30	70	15.7	120	80	4	13.5	1102
DKOAF100E	1"	25	10	114	33	80	15.7	131	80	4	13.5	1212
DKOAF114E	1" 1/4	32	10	119	30	89	15.7	162	80	4	14	1486
DKOAF112E	1" 1/2	40	10	149	35	99	15.7	180	120	4	16	2479
DKOAF200E	2"	50	10	172	46	121	19	210	120	4	16	3454
DKOAF212E	2" 1/2	65	10	172	46	140	19	250	120	4	21	4223

## FKM

Codice	d	DN	PN	B	B <sub>1</sub>	F	Øf	H	H	U	Sp	g
DKOAF012F	1/2"	15	10	102	25	60.3	14	108	80	4	13.5	1011
DKOAF034F	3/4"	20	10	105	30	70	15.7	120	80	4	13.5	1102
DKOAF100F	1"	25	10	114	33	80	15.7	131	80	4	13.5	1212
DKOAF114F	1" 1/4	32	10	119	30	89	15.7	162	80	4	14	1486
DKOAF112F	1" 1/2	40	10	149	35	99	15.7	180	120	4	16	2479
DKOAF200F	2"	50	10	172	46	121	19	210	120	4	16	3454
DKOAF212F	2" 1/2	65	10	172	46	140	19	250	120	4	21	4223

# DKOAF - Valvola a membrana a 2 vie DIALOCK® DN 15:65

## PTFE

Codice	d	DN	PN	B	B <sub>1</sub>	F	Øf	H	H	U	Sp	g
DKOAF012P	1/2"	15	10	102	25	60.3	14	108	80	4	13.5	1011
DKOAF034P	3/4"	20	10	105	30	70	15.7	120	80	4	13.5	1102
DKOAF100P	1"	25	10	114	33	80	15.7	131	80	4	13.5	1212
DKOAF114P	1" 1/4	32	10	119	30	89	15.7	162	80	4	14	1486
DKOAF112P	1" 1/2	40	10	149	35	99	15.7	180	120	4	16	2479
DKOAF200P	2"	50	10	172	46	121	19	210	120	4	16	3454
DKOAF212P	2" 1/2	65	10	172	46	140	19	250	120	4	21	4223