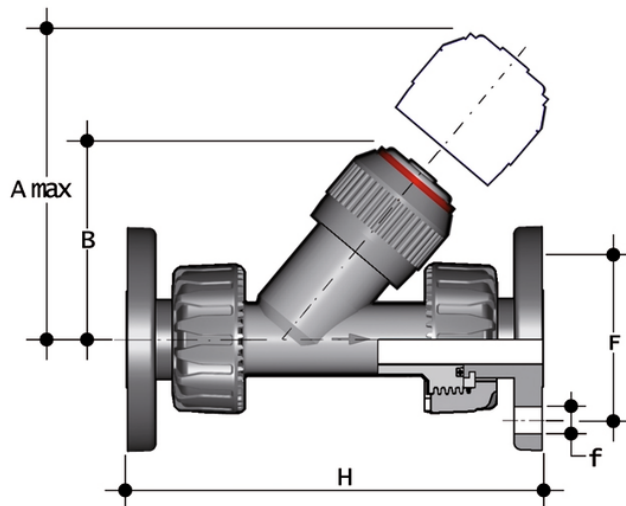


VRUOM - Valvola di ritegno DN 15:80

Valvola di ritegno con attacchi a bocchettone con flange fisse, foratura EN/ISO/DIN PN10/16.



EPDM

| Codice | d | DN | PN | A max | B | F | f | H | g |
|-----------|----|----|----|-------|-----|-----|----|-----|------|
| VRUOM020E | 20 | 15 | 10 | 125 | 72 | 65 | 14 | 163 | 265 |
| VRUOM025E | 25 | 20 | 10 | 145 | 84 | 75 | 14 | 193 | 327 |
| VRUOM032E | 32 | 25 | 10 | 165 | 95 | 85 | 14 | 211 | 480 |
| VRUOM040E | 40 | 32 | 10 | 190 | 111 | 100 | 18 | 244 | 795 |
| VRUOM050E | 50 | 40 | 10 | 210 | 120 | 110 | 18 | 277 | 1065 |
| VRUOM063E | 63 | 50 | 10 | 240 | 139 | 125 | 18 | 331 | 1705 |

FKM

| Codice | d | DN | PN | A max | B | F | f | H | g |
|-----------|----|----|----|-------|-----|-----|----|-----|------|
| VRUOM020F | 20 | 15 | 10 | 125 | 72 | 65 | 14 | 163 | 265 |
| VRUOM025F | 25 | 20 | 10 | 145 | 84 | 75 | 14 | 193 | 327 |
| VRUOM032F | 32 | 25 | 10 | 165 | 95 | 85 | 14 | 211 | 480 |
| VRUOM040F | 40 | 32 | 10 | 190 | 111 | 100 | 18 | 244 | 795 |
| VRUOM050F | 50 | 40 | 10 | 210 | 120 | 110 | 18 | 277 | 1065 |
| VRUOM063F | 63 | 50 | 10 | 240 | 139 | 125 | 18 | 331 | 1705 |