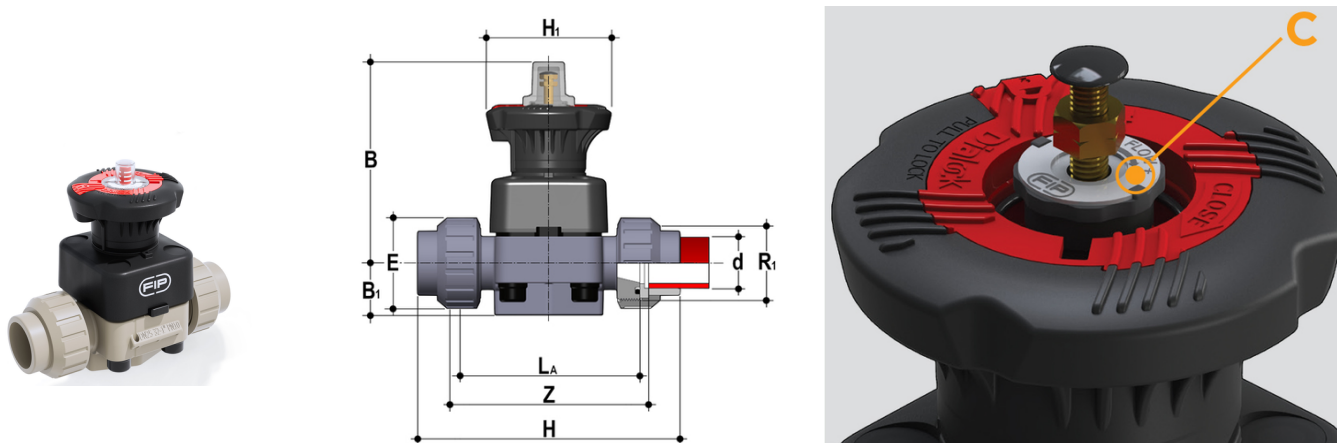


# DKLUIM - Valvola a membrana a 2 vie DIALOCK® DN 15÷65

Valvola a membrana DIALOCK® con limitatore di corsa e attacchi a bocchettone femmina per saldatura di tasca, serie metrica.



## EPDM

Codice	d	DN	PN	B	B <sub>1</sub>	E	H	H	La	R <sub>1</sub>	Z	g
DKLUIM020E	20	15	10	115	25	41	129	80	90	1"	100	487
DKLUIM025E	25	20	10	118	30	50	154	80	108	1 1/4"	116	530
DKLUIM032E	32	25	10	127	33	58	168	80	116	1 1/2"	124	725
DKLUIM040E	40	32	10	132	30	72	192	80	134	2"	140	811
DKLUIM050E	50	40	10	175	35	79	222	120	154	2 1/4"	160	1617
DKLUIM063E	63	50	10	200	46	98	266	120	184	2 3/4"	190	2353

## FKM

Codice	d	DN	PN	B	B <sub>1</sub>	E	H	H	La	R <sub>1</sub>	Z	g
DKLUIM020F	20	15	10	115	25	41	129	80	90	1"	100	487
DKLUIM025F	25	20	10	118	30	50	154	80	108	1 1/4"	116	530
DKLUIM032F	32	25	10	127	33	58	168	80	116	1 1/2"	124	725
DKLUIM040F	40	32	10	132	30	72	192	80	134	2"	140	811
DKLUIM050F	50	40	10	175	35	79	222	120	154	2 1/4"	160	1617
DKLUIM063F	63	50	10	200	46	98	266	120	184	2 3/4"	190	2353

## PTFE

Codice	d	DN	PN	B	B <sub>1</sub>	E	H	H	La	R <sub>1</sub>	Z	g
DKLUIM020P	20	15	10	115	25	41	129	80	90	1"	100	487
DKLUIM025P	25	20	10	118	30	50	154	80	108	1 1/4"	116	530

# DKLUIM - Valvola a membrana a 2 vie DIALOCK® DN 15÷65

Codice	d	DN	PN	B	B <sub>1</sub>	E	H	H	La	R <sub>1</sub>	Z	g
DKLUIM032P	32	25	10	127	33	58	168	80	116	1"1/2	124	725
DKLUIM040P	40	32	10	132	30	72	192	80	134	2"	140	811
DKLUIM050P	50	40	10	175	35	79	222	120	154	2"1/4	160	1617
DKLUIM063P	63	50	10	200	46	98	266	120	184	2"3/4	190	2353