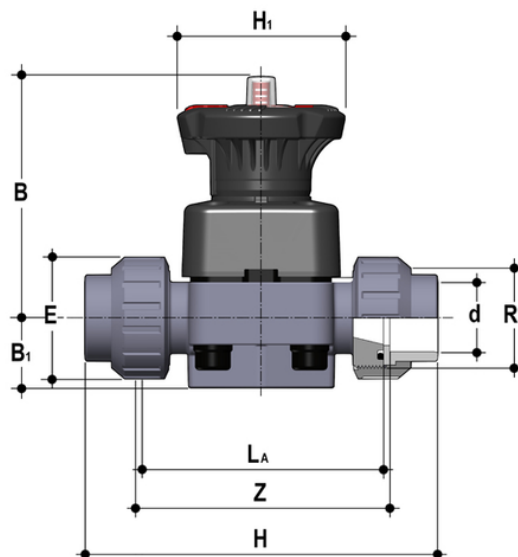


DKUAC - Valvola a membrana a 2 vie DIALOCK® DN 15:65

Valvola a membrana DIALOCK® con attacchi a bocchettone femmina per incollaggio serie ASTM.



EPDM

Codice	d	DN	PN	B	B ₁	E	H	H	La	R ₁	Z	g
DKUAC012E	1/2"	15	10	102	25	41	143	80	90	1"	98	509
DKUAC034E	3/4"	20	10	105	30	50	167	80	108	1"1/4	115	576
DKUAC100E	1"	25	10	114	33	58	180	80	116	1"1/2	122	812
DKUAC114E	1"1/4	32	10	119	30	72	208	80	134	2"	144	945
DKUAC112E	1"1/2	40	10	149	35	79	234	120	154	2"1/2	164	1814
DKUAC200E	2"	50	10	172	46	98	272	120	184	2"3/4	195	2752

FKM

Codice	d	DN	PN	B	B ₁	E	H	H	La	R ₁	Z	g
DKUAC012F	1/2"	15	10	102	25	41	143	80	90	1"	98	509
DKUAC034F	3/4"	20	10	105	30	50	167	80	108	1"1/4	115	576
DKUAC100F	1"	25	10	114	33	58	180	80	116	1"1/2	122	812
DKUAC114F	1"1/4	32	10	119	30	72	208	80	134	2"	144	945
DKUAC112F	1"1/2	40	10	149	35	79	234	120	154	2"1/2	164	1814
DKUAC200F	2"	50	10	172	46	98	272	120	184	2"3/4	195	2752

PTFE

DKUAC - Valvola a membrana a 2 vie DIALOCK® DN 15:65

Codice	d	DN	PN	B	B ₁	E	H	H	La	R ₁	Z	g
DKUAC012P	1/2"	15	10	102	25	41	143	80	90	1"	98	509
DKUAC034P	3/4"	20	10	105	30	50	167	80	108	1"1/4	115	576
DKUAC100P	1"	25	10	114	33	58	180	80	116	1"1/2	122	812
DKUAC114P	1"1/4	32	10	119	30	72	208	80	134	2"	144	945
DKUAC112P	1"1/2	40	10	149	35	79	234	120	154	2"1/2	164	1814
DKUAC200P	2"	50	10	172	46	98	272	120	184	2"3/4	195	2752