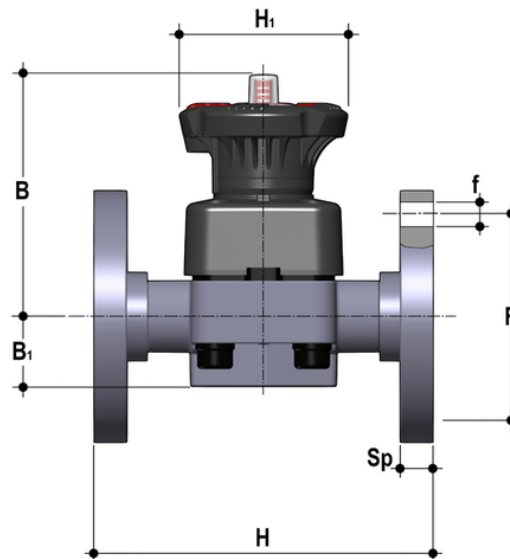


DKOAC - Valvola a membrana a 2 vie DIALOCK® DN 15:65

Valvola a membrana DIALOCK® con corpo flangiato monolitico foratura ANSI B16.5 cl.150 #FF.



EPDM

Codice	d	DN	PN	B	B ₁	F	Øf	H	H	U	Sp	g
DKOAC012E	1/2"	15	10	102	25	60.3	14	108	80	4	13.5	962
DKOAC034E	3/4"	20	10	105	30	70	15.7	120	80	4	13.5	1038
DKOAC100E	1"	25	10	114	33	80	15.7	131	80	4	13.5	1122
DKOAC114E	1" 1/4	32	10	119	30	89	15.7	162	80	4	14	1364
DKOAC112E	1" 1/2	40	10	149	35	99	15.7	180	120	4	16	2299
DKOAC200E	2"	50	10	172	46	121	19	210	120	4	16	3200
DKOAC212E	2" 1/2	65	10	172	46	140	19	250	120	4	21	3873

FKM

Codice	d	DN	PN	B	B ₁	F	Øf	H	H	U	Sp	g
DKOAC012F	1/2"	15	10	102	25	60.3	14	108	80	4	13.5	962
DKOAC034F	3/4"	20	10	105	30	70	15.7	120	80	4	13.5	1038
DKOAC100F	1"	25	10	114	33	80	15.7	131	80	4	13.5	1122
DKOAC114F	1" 1/4	32	10	119	30	89	15.7	162	80	4	14	1364
DKOAC112F	1" 1/2	40	10	149	35	99	15.7	180	120	4	16	2299
DKOAC200F	2"	50	10	172	46	121	19	210	120	4	16	3200
DKOAC212F	2" 1/2	65	10	172	46	140	19	250	120	4	21	3873

DKOAC - Valvola a membrana a 2 vie DIALOCK® DN 15:65

PTFE

Codice	d	DN	PN	B	B ₁	F	Øf	H	H	U	Sp	g
DKOAC012P	1/2"	15	10	102	25	60.3	14	108	80	4	13.5	962
DKOAC034P	3/4"	20	10	105	30	70	15.7	120	80	4	13.5	1038
DKOAC100P	1"	25	10	114	33	80	15.7	131	80	4	13.5	1122
DKOAC114P	1" 1/4	32	10	119	30	89	15.7	162	80	4	14	1364
DKOAC112P	1" 1/2	40	10	149	35	99	15.7	180	120	4	16	2299
DKOAC200P	2"	50	10	172	46	121	19	210	120	4	16	3200
DKOAC212P	2" 1/2	65	10	172	46	140	19	250	120	4	21	3873