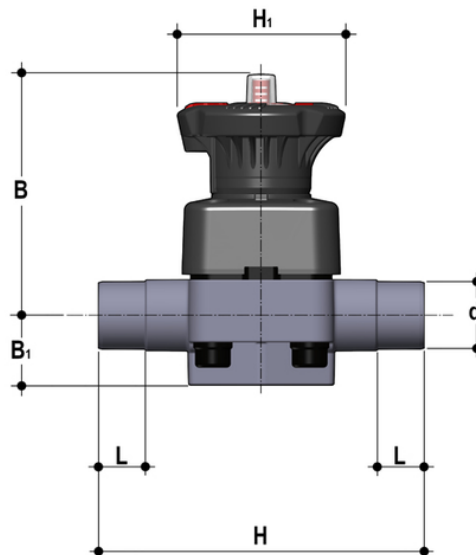


DKDV - Valvola a membrana a 2 vie DIALOCK® DN 15:65

Valvola manuale DIALOCK® con attacchi maschio per incollaggio, serie metrica.



EPDM

Codice	d	DN	PN	B	B ₁	H	H	L	g
DKDV020E	20	15	10	102	25	124	80	16	460
DKDV025E	25	20	10	105	30	144	80	19	482
DKDV032E	32	25	10	114	33	154	80	22	682
DKDV040E	40	32	10	119	30	174	80	26	726
DKDV050E	50	40	10	149	35	194	120	31	1540
DKDV063E	63	50	10	172	46	224	120	38	2254
DKDV075E	75	65	10	172	46	284	120	44	2365

EPDM

Codice	d	DN	PN	B	B ₁	H	H	L	g
DKDV020E0SF	20	15	10	102	25	124	80	16	460
DKDV025E0SF	25	20	10	105	30	144	80	19	482
DKDV032E0SF	32	25	10	114	33	154	80	22	682
DKDV040E0SF	40	32	10	119	30	174	80	26	726
DKDV050E0SF	50	40	10	149	35	194	120	31	1540
DKDV063E0SF	63	50	10	172	46	224	120	38	2254
DKDV075E0SF	75	65	10	172	46	284	120	44	2365

DKDV - Valvola a membrana a 2 vie DIALOCK® DN 15:65

FKM

Codice	d	DN	PN	B	B ₁	H	H	L	g
DKDV020F	20	15	10	102	25	124	80	16	460
DKDV025F	25	20	10	105	30	144	80	19	482
DKDV032F	32	25	10	114	33	154	80	22	682
DKDV040F	40	32	10	119	30	174	80	26	726
DKDV050F	50	40	10	149	35	194	120	31	1540
DKDV063F	63	50	10	172	46	224	120	38	2254
DKDV075F	75	65	10	172	46	284	120	44	2365

PTFE

Codice	d	DN	PN	B	B ₁	H	H	L	g
DKDV020P	20	15	10	102	25	124	80	16	460
DKDV025P	25	20	10	105	30	144	80	19	482
DKDV032P	32	25	10	114	33	154	80	22	682
DKDV040P	40	32	10	119	30	174	80	26	726
DKDV050P	50	40	10	149	35	194	120	31	1540
DKDV063P	63	50	10	172	46	224	120	38	2254
DKDV075P	75	65	10	172	46	284	120	44	2365

PTFE

Codice	d	DN	PN	B	B ₁	H	H	L	g
DKDV020POSF	20	15	10	102	25	124	80	16	460
DKDV025POSF	25	20	10	105	30	144	80	19	482
DKDV032POSF	32	25	10	114	33	154	80	22	682
DKDV040POSF	40	32	10	119	30	174	80	26	726
DKDV050POSF	50	40	10	149	35	194	120	31	1540
DKDV063POSF	63	50	10	172	46	224	120	38	2254
DKDV075POSF	75	65	10	172	46	284	120	44	2365