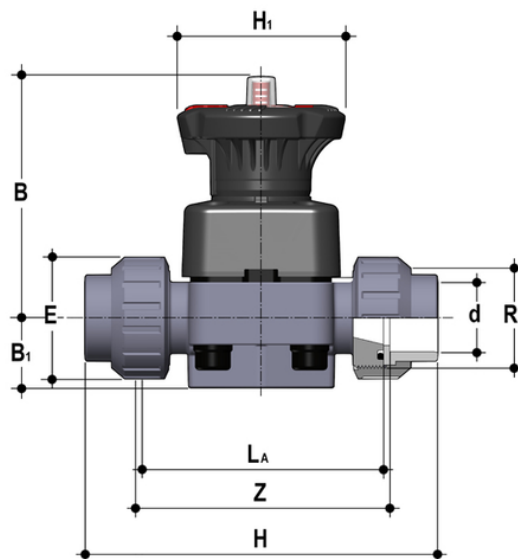


DKUIV - Valvola a membrana a 2 vie DIALOCK® DN 15:65

Valvola a membrana DIALOCK® con attacchi a bocchettone femmina per incollaggio, serie metrica.



EPDM

Codice	d	DN	PN	B	B ₁	E	H	H	La	R ₁	Z	g
DKUIV020E	20	15	10	102	25	41	129	80	90	1"	100	500
DKUIV025E	25	20	10	105	30	50	154	80	108	1"1/4	116	562
DKUIV032E	32	25	10	114	33	58	168	80	116	1"1/2	124	790
DKUIV040E	40	32	10	119	30	72	192	80	134	2"	140	916
DKUIV050E	50	40	10	149	35	79	222	120	154	2"1/4	160	1768
DKUIV063E	63	50	10	172	46	98	266	120	184	2"3/4	190	2668

EPDM

Codice	d	DN	PN	B	B ₁	E	H	H	La	R ₁	Z	g
DKUIV020E0SF	20	15	10	102	25	41	129	80	90	1"	100	500
DKUIV025E0SF	25	20	10	105	30	50	154	80	108	1"1/4	116	562
DKUIV032E0SF	32	25	10	114	33	58	168	80	116	1"1/2	124	790
DKUIV040E0SF	40	32	10	119	30	72	192	80	134	2"	140	916
DKUIV050E0SF	50	40	10	149	35	79	222	120	154	2"1/4	160	1768
DKUIV063E0SF	63	50	10	172	46	98	266	120	184	2"3/4	190	2668

FKM

DKUIV - Valvola a membrana a 2 vie DIALOCK® DN 15:65

Codice	d	DN	PN	B	B ₁	E	H	H	La	R ₁	Z	g
DKUIV020F	20	15	10	102	25	41	129	80	90	1"	100	500
DKUIV025F	25	20	10	105	30	50	154	80	108	1"1/4	116	562
DKUIV032F	32	25	10	114	33	58	168	80	116	1"1/2	124	790
DKUIV040F	40	32	10	119	30	72	192	80	134	2"	140	916
DKUIV050F	50	40	10	149	35	79	222	120	154	2"1/4	160	1768
DKUIV063F	63	50	10	172	46	98	266	120	184	2"3/4	190	2668

PTFE

Codice	d	DN	PN	B	B ₁	E	H	H	La	R ₁	Z	g
DKUIV020P	20	15	10	102	25	41	129	80	90	1"	100	500
DKUIV025P	25	20	10	105	30	50	154	80	108	1"1/4	116	562
DKUIV032P	32	25	10	114	33	58	168	80	116	1"1/2	124	790
DKUIV040P	40	32	10	119	30	72	192	80	134	2"	140	916
DKUIV050P	50	40	10	149	35	79	222	120	154	2"1/4	160	1768
DKUIV063P	63	50	10	172	46	98	266	120	184	2"3/4	190	2668

PTFE

Codice	d	DN	PN	B	B ₁	E	H	H	La	R ₁	Z	g
DKUIV020POSF	20	15	10	102	25	41	129	80	90	1"	100	500
DKUIV025POSF	25	20	10	105	30	50	154	80	108	1"1/4	116	562
DKUIV032POSF	32	25	10	114	33	58	168	80	116	1"1/2	124	790
DKUIV040POSF	40	32	10	119	30	72	192	80	134	2"	140	916
DKUIV050POSF	50	40	10	149	35	79	222	120	154	2"1/4	160	1768
DKUIV063POSF	63	50	10	172	46	98	266	120	184	2"3/4	190	2668