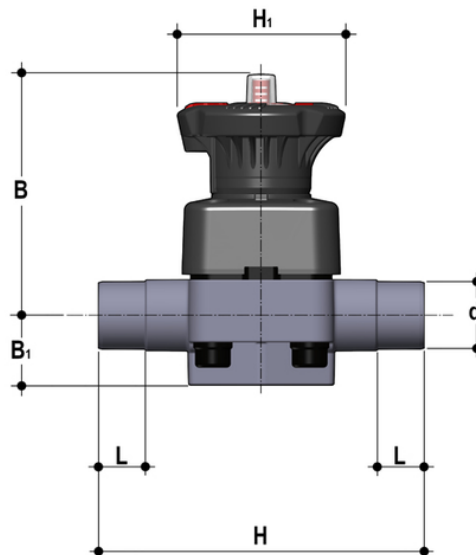


DKDC - Valvola a membrana a 2 vie DIALOCK® DN 15:65

Valvola manuale DIALOCK® con attacchi maschio per incollaggio, serie metrica.



EPDM

Codice	d	DN	PN	B	B ₁	H	H	L	g
DKDC020E	20	15	10	102	25	124	80	16	466
DKDC025E	25	20	10	105	30	144	80	19	491
DKDC032E	32	25	10	114	33	154	80	22	696
DKDC040E	40	32	10	119	30	174	80	26	743
DKDC050E	50	40	10	149	35	194	120	31	1574
DKDC063E	63	50	10	172	46	224	120	38	2310
DKDC075E	75	65	10	172	46	284	120	44	2430

EPDM

Codice	d	DN	PN	B	B ₁	H	H	L	g
DKDC020E0SF	20	15	10	102	25	124	80	16	466
DKDC025E0SF	25	20	10	105	30	144	80	19	491
DKDC032E0SF	32	25	10	114	33	154	80	22	696
DKDC040E0SF	40	32	10	119	30	174	80	26	743
DKDC050E0SF	50	40	10	149	35	194	120	31	1574
DKDC063E0SF	63	50	10	172	46	224	120	38	2310
DKDC075E0SF	75	65	10	172	46	284	120	44	2430

DKDC - Valvola a membrana a 2 vie DIALOCK® DN 15:65

FKM

Codice	d	DN	PN	B	B ₁	H	H	L	g
DKDC020F	20	15	10	102	25	124	80	16	466
DKDC025F	25	20	10	105	30	144	80	19	491
DKDC032F	32	25	10	114	33	154	80	22	696
DKDC040F	40	32	10	119	30	174	80	26	743
DKDC050F	50	40	10	149	35	194	120	31	1574
DKDC063F	63	50	10	172	46	224	120	38	2310
DKDC075F	75	65	10	172	46	284	120	44	2430

PTFE

Codice	d	DN	PN	B	B ₁	H	H	L	g
DKDC020P	20	15	10	102	25	124	80	16	466
DKDC025P	25	20	10	105	30	144	80	19	491
DKDC032P	32	25	10	114	33	154	80	22	696
DKDC040P	40	32	10	119	30	174	80	26	743
DKDC050P	50	40	10	149	35	194	120	31	1574
DKDC063P	63	50	10	172	46	224	120	38	2310
DKDC075P	75	65	10	172	46	284	120	44	2430

PTFE

Codice	d	DN	PN	B	B ₁	H	H	L	g
DKDC020POSF	20	15	10	102	25	124	80	16	466
DKDC025POSF	25	20	10	105	30	144	80	19	491
DKDC032POSF	32	25	10	114	33	154	80	22	696
DKDC040POSF	40	32	10	119	30	174	80	26	743
DKDC050POSF	50	40	10	149	35	194	120	31	1574
DKDC063POSF	63	50	10	172	46	224	120	38	2310
DKDC075POSF	75	65	10	172	46	284	120	44	2430