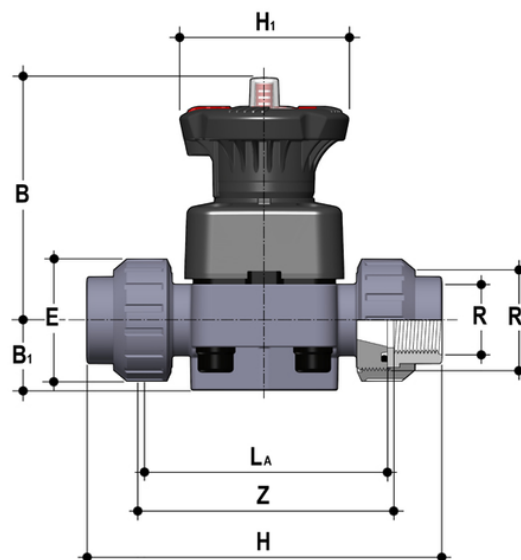


# DKUFV - Valvola a membrana a 2 vie DIALOCK® DN 15:65

Valvola a membrana DIALOCK® con attacchi a bocchettone femmina, filettatura cilindrica gas.



## EPDM

Codice	R	DN	PN	B	B <sub>1</sub>	E	H	H	La	R <sub>1</sub>	Z	g
DKUFV012E	1/2"	15	10	102	25	41	131	80	90	1"	97	500
DKUFV034E	3/4"	20	10	105	30	50	151	80	108	1"1/4	118	562
DKUFV100E	1"	25	10	114	33	58	165	80	116	1"1/2	127	790
DKUFV114E	1"1/4	32	10	119	30	72	188	80	134	2"	145	916
DKUFV112E	1"1/2	40	10	149	35	79	208	120	154	2"1/2	165	1768
DKUFV200E	2"	50	10	172	46	98	246	120	184	2"3/4	195	2668

## FKM

Codice	R	DN	PN	B	B <sub>1</sub>	E	H	H	La	R <sub>1</sub>	Z	g
DKUFV012F	1/2"	15	10	102	25	41	131	80	90	1"	97	500
DKUFV034F	3/4"	20	10	105	30	50	151	80	108	1"1/4	118	562
DKUFV100F	1"	25	10	114	33	58	165	80	116	1"1/2	127	790
DKUFV114F	1"1/4	32	10	119	30	72	188	80	134	2"	145	916
DKUFV112F	1"1/2	40	10	149	35	79	208	120	154	2"1/2	165	1768
DKUFV200F	2"	50	10	172	46	98	246	120	184	2"3/4	195	2668

## PTFE

## DKUFV - Valvola a membrana a 2 vie DIALOCK® DN 15:65

Codice	R	DN	PN	B	B <sub>1</sub>	E	H	H	La	R <sub>1</sub>	Z	g
DKUFV012P	1/2"	15	10	102	25	41	131	80	90	1"	97	500
DKUFV034P	3/4"	20	10	105	30	50	151	80	108	1"1/4	118	562
DKUFV100P	1"	25	10	114	33	58	165	80	116	1"1/2	127	790
DKUFV114P	1"1/4	32	10	119	30	72	188	80	134	2"	145	916
DKUFV112P	1"1/2	40	10	149	35	79	208	120	154	2"1/2	165	1768
DKUFV200P	2"	50	10	172	46	98	246	120	184	2"3/4	195	2668