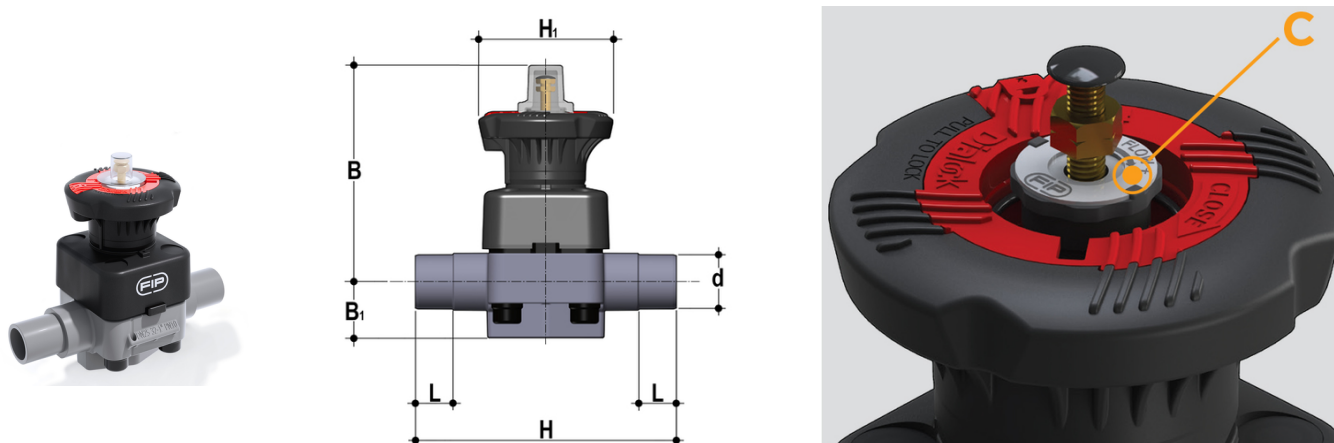


DKLDC - Valvola a membrana a 2 vie DIALOCK® DN 15:65

Valvola a membrana DIALOCK® con limitatore di corsa e attacchi maschio per incollaggio, serie metrica.



EPDM

Codice	d	DN	PN	B	B ₁	H	H	L	g
DKLDC020E	20	15	10	115	25	124	80	16	496
DKLDC025E	25	20	10	118	30	144	80	19	521
DKLDC032E	32	25	10	127	33	154	80	22	726
DKLDC040E	40	32	10	132	30	174	80	26	773
DKLDC050E	50	40	10	175	35	194	120	31	1634
DKLDC063E	63	50	10	200	46	224	120	38	2370
DKLDC075E	75	65	10	200	46	284	120	44	2490

FKM

Codice	d	DN	PN	B	B ₁	H	H	L	g
DKLDC020F	20	15	10	115	25	124	80	16	496
DKLDC025F	25	20	10	118	30	144	80	19	521
DKLDC032F	32	25	10	127	33	154	80	22	726
DKLDC040F	40	32	10	132	30	174	80	26	773
DKLDC050F	50	40	10	175	35	194	120	31	1634
DKLDC063F	63	50	10	200	46	224	120	38	2370
DKLDC075F	75	65	10	200	46	284	120	44	2490

PTFE



DKLDC - Valvola a membrana a 2 vie DIALOCK® DN 15:65

Codice	d	DN	PN	B	B ₁	H	H	L	g
DKLDC020P	20	15	10	115	25	124	80	16	496
DKLDC025P	25	20	10	118	30	144	80	19	521
DKLDC032P	32	25	10	127	33	154	80	22	726
DKLDC040P	40	32	10	132	30	174	80	26	773
DKLDC050P	50	40	10	175	35	194	120	31	1634
DKLDC063P	63	50	10	200	46	224	120	38	2370
DKLDC075P	75	65	10	200	46	284	120	44	2490