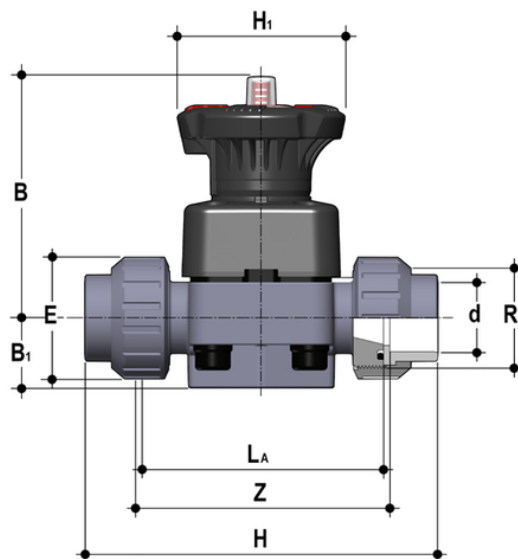


DKUAV - Valvola a membrana a 2 vie DIALOCK® DN 15:65

Valvola a membrana DIALOCK® con attacchi a bocchettone femmina per incollaggio serie ASTM.



EPDM

Codice	d	DN	PN	B	B ₁	E	H	H	La	R ₁	Z	g
DKUAV012E	1/2"	15	10	102	25	41	143	80	90	1"	98	500
DKUAV034E	3/4"	20	10	105	30	50	167	80	108	1"1/4	115	562
DKUAV100E	1"	25	10	114	33	58	180	80	116	1"1/2	122	790
DKUAV114E	1"1/4	32	10	119	30	72	208	80	134	2"	144	916
DKUAV112E	1"1/2	40	10	149	35	79	234	120	154	2"1/2	164	1768
DKUAV200E	2"	50	10	172	46	98	272	120	184	2"3/4	195	2668

FKM

Codice	d	DN	PN	B	B ₁	E	H	H	La	R ₁	Z	g
DKUAV012F	1/2"	15	10	102	25	41	143	80	90	1"	98	500
DKUAV034F	3/4"	20	10	105	30	50	167	80	108	1"1/4	115	562
DKUAV100F	1"	25	10	114	33	58	180	80	116	1"1/2	122	790
DKUAV114F	1"1/4	32	10	119	30	72	208	80	134	2"	144	916
DKUAV112F	1"1/2	40	10	149	35	79	234	120	154	2"1/2	164	1768
DKUAV200F	2"	50	10	172	46	98	272	120	184	2"3/4	195	2668

PTFE

DKUAV - Valvola a membrana a 2 vie DIALOCK® DN 15:65

Codice	d	DN	PN	B	B ₁	E	H	H	La	R ₁	Z	g
DKUAV012P	1/2"	15	10	102	25	41	143	80	90	1"	98	500
DKUAV034P	3/4"	20	10	105	30	50	167	80	108	1"1/4	115	562
DKUAV100P	1"	25	10	114	33	58	180	80	116	1"1/2	122	790
DKUAV114P	1"1/4	32	10	119	30	72	208	80	134	2"	144	916
DKUAV112P	1"1/2	40	10	149	35	79	234	120	154	2"1/2	164	1768
DKUAV200P	2"	50	10	172	46	98	272	120	184	2"3/4	195	2668