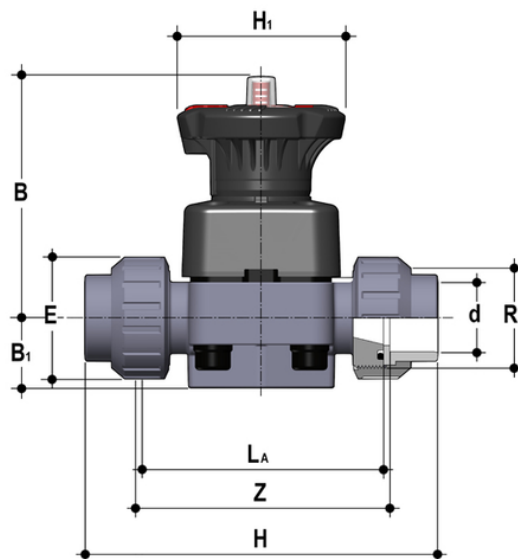


# DKULV - Valvola a membrana a 2 vie DIALOCK® DN 15:65

Valvola a membrana DIALOCK® con attacchi a bocchettone femmina per incollaggio serie BS.



## EPDM

Codice	d	DN	PN	B	B <sub>1</sub>	E	H	H	La	R <sub>1</sub>	Z	g
DKULV012E	1/2"	15	10	102	25	41	131	80	90	1"	97	500
DKULV034E	3/4"	20	10	105	30	50	154	80	108	1"1/4	116	562
DKULV100E	1"	25	10	114	33	58	166	80	116	1"1/2	121	790
DKULV114E	1"1/4	32	10	119	30	72	194	80	134	2"	142	916
DKULV112E	1"1/2	40	10	149	35	79	222	120	154	2"1/4	162	1768
DKULV200E	2"	50	10	172	46	98	266	120	184	2"3/4	194	2668

## FKM

Codice	d	DN	PN	B	B <sub>1</sub>	E	H	H	La	R <sub>1</sub>	Z	g
DKULV012F	1/2"	15	10	102	25	41	131	80	90	1"	97	500
DKULV034F	3/4"	20	10	105	30	50	154	80	108	1"1/4	116	562
DKULV100F	1"	25	10	114	33	58	166	80	116	1"1/2	121	790
DKULV114F	1"1/4	32	10	119	30	72	194	80	134	2"	142	916
DKULV112F	1"1/2	40	10	149	35	79	222	120	154	2"1/4	162	1768
DKULV200F	2"	50	10	172	46	98	266	120	184	2"3/4	194	2668

## PTFE

## DKULV - Valvola a membrana a 2 vie DIALOCK® DN 15:65

Codice	d	DN	PN	B	B <sub>1</sub>	E	H	H	L <sub>a</sub>	R <sub>1</sub>	Z	g
DKULV012P	1/2"	15	10	102	25	41	131	80	90	1"	97	500
DKULV034P	3/4"	20	10	105	30	50	154	80	108	1"1/4	116	562
DKULV100P	1"	25	10	114	33	58	166	80	116	1"1/2	121	790
DKULV114P	1"1/4	32	10	119	30	72	194	80	134	2"	142	916
DKULV112P	1"1/2	40	10	149	35	79	222	120	154	2"1/4	162	1768
DKULV200P	2"	50	10	172	46	98	266	120	184	2"3/4	194	2668